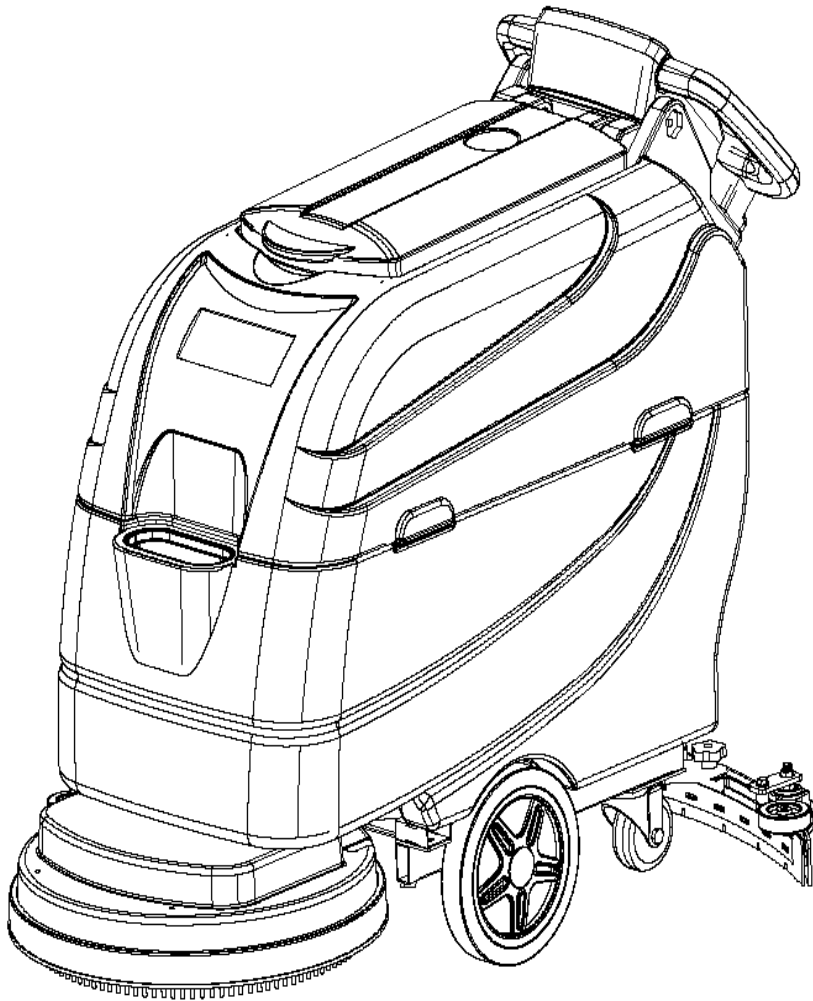


520BM (Battery type)

Hand push type Automatic Floor Scrubber Manual



Please read this manual carefully before using the product.

ARCORA®
www.arcora-group.com

1.0 Summarize



Attention: Please read the manual before you use 520BM

Preface

C 5050 manual floor scrubber is a kind of mechanical movement using disk brush and chemical action of water and detergent solution. It can be used to clean hard floors with various stains, and at the same time, it can collect the removed stains and the detergent solution not absorbed by the floor.

Application

The scientific name of the machine is walk-behind automatic washing and drying machine. It is suitable for rapid mechanized floor cleaning of office building, hotel, restaurant and workshop, etc. The device is not suitable for use in rain or under a water gun. It is strictly prohibited to use this equipment to collect dangerous dust or flammable liquid in flammable and explosive environment. In addition, the equipment is not suitable for use as a means of transport.

2.0 security review



Attention: Please read the manual before you use it

- The start of any work, be sure to familiarize yourself with all the design, control methods and functions of the washing machine.
- The first use of the washing machine, the operator should put it in an open area to understand its various functions.
- The start of any operation work, first check the washing machine and its parts in general and in the operation of the state.
- If the working state of the washing machine is not normal, the equipment cannot be used.
- The operator must operate the washer in the appropriate application area (clean hard ground).
- The operation of the workplace to pay attention to obstacles, such as stairs, shelves, and pay attention to the surrounding people, especially children.
- The use of appropriate cleaners (floor washer use of cleaners only in accordance with the manufacturer's instructions, according to the appropriate dosage and limit requirements of the use of cleaners.
- The maintenance and repair of the washing machine can only be done by properly trained personnel using appropriate tools.
- Turn off the power or remove the battery when cleaning or maintaining the washer.
- The use of high-pressure water or steam equipment is prohibited to clean the washing machine.
- The electrical components are prohibited from water.



Note: it is forbidden to use this machine to clean flammable liquid, solvent, fuel oil, active metal vapor or flammable dust.

3.0 Technical parameters

Project	Parameter
Rated voltage	220V;
Working width	510mm
Suction width	760mm
The efficiency	2000 m ² /h
Brush	510mm
Brush speed	150rpm
Brush motor	750W
Brush pressure	30kg
Suction motor	600W
Vacuum	180mbar
Turning radius	600mm
Clean water tank	50L
Sewage tank	55L
Noise level	65dB
Batteries weight	70 kg
Machine weight(without batteries)	75kg
The length of the wire	25M

4.0 Packaging and disassembly of the machine

4.1 Packing - this equipment is specially packed with wooden pallets for forklift handling. The package size is as follows: 1250mm long, 610mm wide and 1200mm high

4.2 Remove -- (1) tear off the wrapping film, (2) cut off the packaging tape, (3) remove the packaging board, (4) remove the accessories, (5) use the slope to slide the machine down from the wooden pallet.

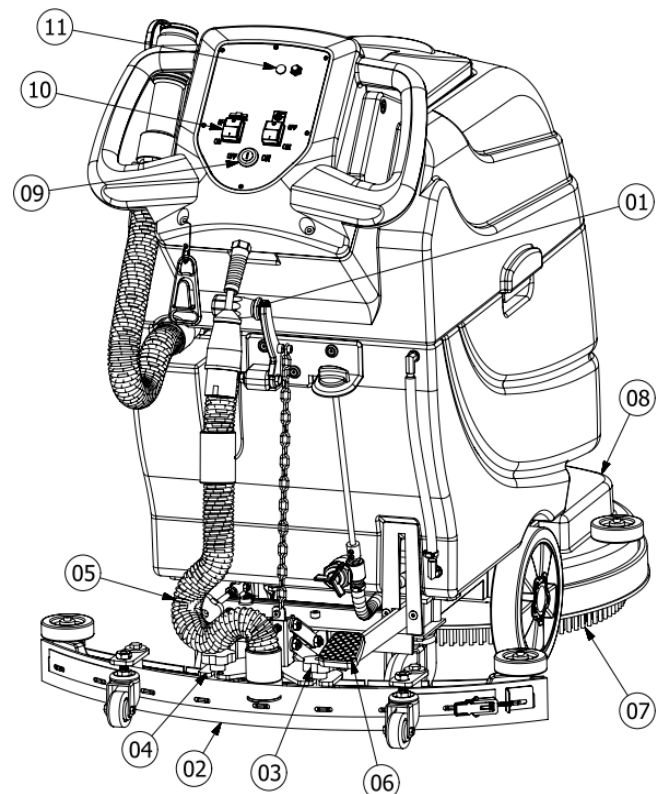
5.0 The assembly instructions

5.1 Assembly of suction squeegee

- Lift the lifting handle (01) of the squeegee.
- Turn on the two knobs (03) of the suction (02).
- Hang the squeegee on the fixed palm (04) and tighten the two knobs.
- Connect the end of the suction hose (05) to the suction rack.

5.2 Installation of brush, hundred-cleaning pad and needle holder

- Step on the foot pedal (06) and lean against the left position, and the nose of the front end will follow.
- Place the brush (07) or hundred-cleaning pad and needle holder under the center of the head cover (08)
- Step on the foot pedal (06) to move out of the location of the loose foot will automatically raise the head will also automatically lower the pressure on the brush
- Turn on the power lock (09), when the power indicator (11) is on, press the "I" key of the brush plate motor switch (10), and the brush plate will be installed automatically.



6.0 Operational preparation

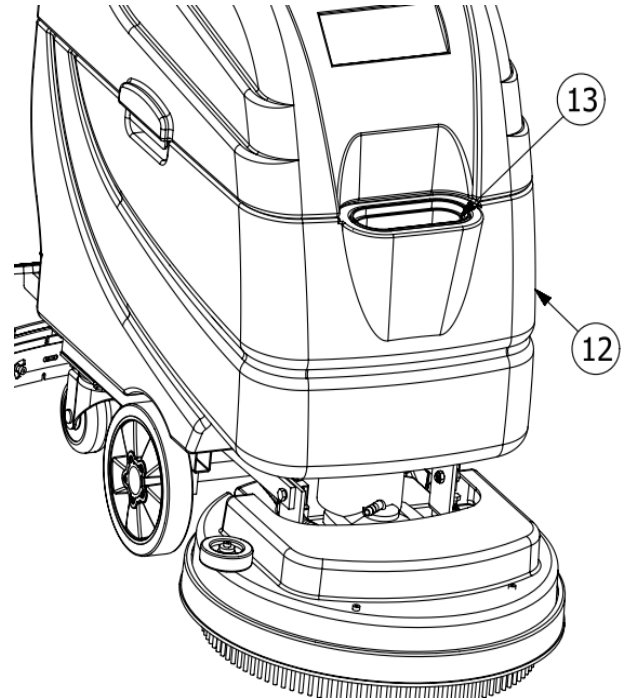
6.1 Accessories choosing

- Nylon brush: suitable for cleaning rough, irregular or smooth ground
- Hundred-cleaning pad and needle holder brush: suitable for flat polished ground

6.2 Fill the clean water tank with water

- The front end of the YL815 scrubber clean water tank (12) is provided with a water injection port (13), which can be directly filled with water
- According to the situation of dirt on the ground, inject clean water and appropriate amount of cleaner into the water tank.

- ✧ **Warning! If the used cleaner has too much foam, it means that the cleaner is not suitable for the use of automatic floor washer. Please replace the cleaner, otherwise it will burn down the suction motor**

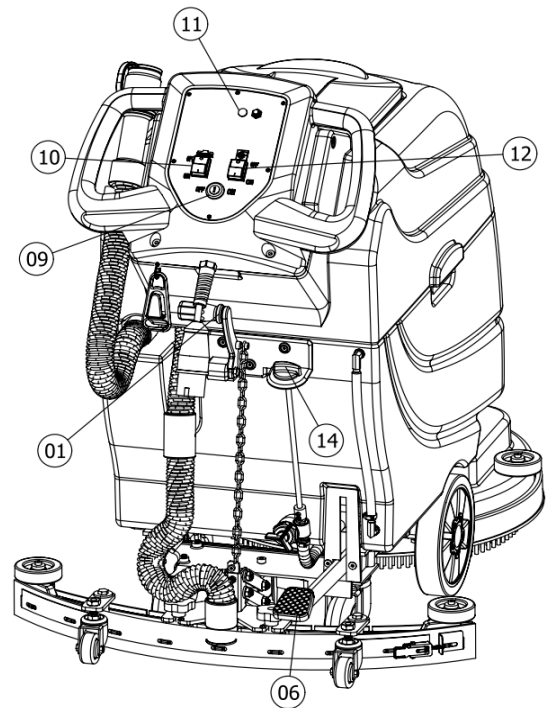


7.0 Manipulation of the

instructions

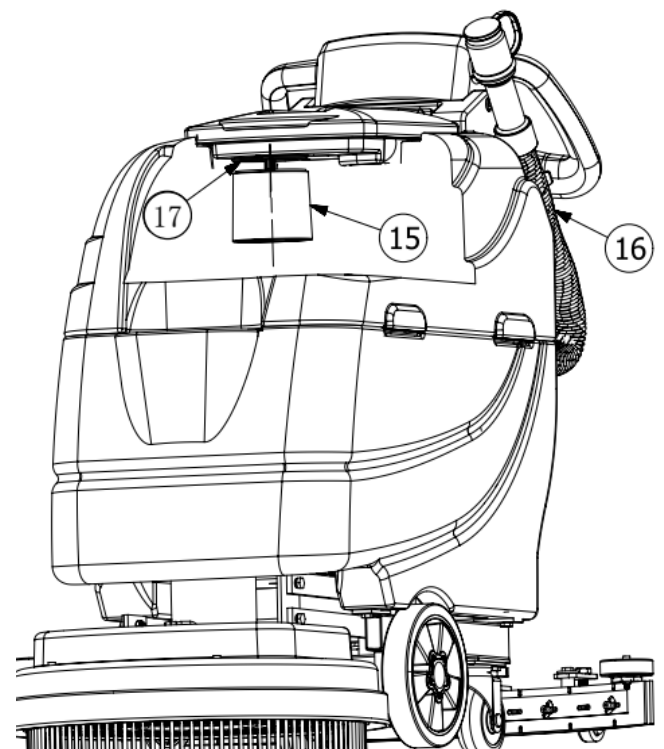
7.1 Correct operation instructions for machine startup

- Pull and step handle (1) and pedal (6) respectively to lower the squeegee and brush plate to the ground.
- Observe and confirm or press the "O" button of the water suction motor switch (10) and the brush disk motor switch (12) to be in the "press" state to close
- Turn on the power lock switch clockwise with the key (09). The indicator light is on(11)
- Press the "I" button of switch (10) and switch (12) successively to start the machine normally
- Adjust the amount of water as required (14)



7.2 Warning and operation instructions of full water in sewage tank

- When the sewage level in the sewage tank is close to the maximum limit water level, the buoy (15) will jump up and block the air outlet (17), so that the vacuum motor cannot work properly and make different noises. (The suction trap will drain the water off the ground)
- Turn off the suction motor and the brush motor immediately
- Lift the brush tray and squeegee
- Move the machine to the location of sewage discharge, remove the sewage hose (16) from the bracket clamp, and remove the pipe cover in the opposite direction to drain the sewage.



8.0 Common faults and handling methods

8.1 Fault analysis and processing form

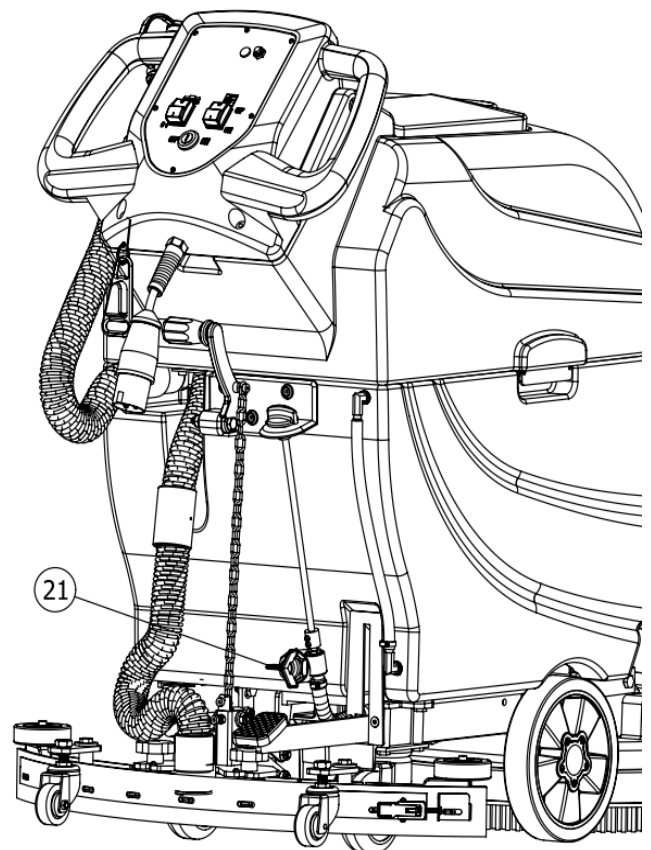
Malfunction	Analysis	Methods
Machine doesn' t work	Did not open the power switch	Please turn on the power switch
	Power cord broken	Check and connect
	Overload protector jumps off	Check and press reset
	Electronic centrifugal switch, capacitor damage	Contact the manufacturer for replacement
	Relay damage	Contact the manufacturer for replacement
	Power switch damage	Contact the manufacturer for replacement
Brush motor doesn' t work	The switch damaged	Replace
	Brush motor damage and its wiring damage	Contact the manufacturer
	Relay damage	Contact the manufacturer
Suction motor doesn' t work	Switch damage	Replace
	Suction motor and its circuit damage	Contact the manufacturer
	Suction motor carbon brush badly worn	Contact the manufacturer
	Relay damage	Contact the manufacturer
The solution has little or no flow	The ball valve is opened too small or closed	Adjust flow switch
	The set of flow switch is too small or the flow switch is off	Adjust flow switch
	Solution hose or filter clogged	Rinse the water pipe or strainer with clean water
	Drain solenoid valve is blocked	Disassemble the discharge solenoid valve and clean it
Poor water absorption	Sewage tank full	Drain the sewage tank
	The plug of the drain pipe has come loose	Tighten the drain plug
	Water scraper assembly blocked	Clean the water scraper
	Water wipers wear out	Turn to use or replace
	The scraper is not in the correct position	Adjust the height of the scraper and the ground

	The suction pipe is not reliably connected to the wiper assembly	Connect the suction pipe reliably
	The suction pipe is blocked	Clear the blockage
	Suction pipe damage	Replace suction pipe
	The cover of the sewage tank is not properly closed	Close the cover
	The seal strip of sewage tank cover is damaged	Replace the strip
	Suction motor damage	Contact the manufacturer

9.0 Maintenance

9.1 Daily maintenance and repair

- (1) Remove the pin holder/brush tray and wipe with a specific cleaner.
- (2) Drain the sump and rinse with clean water. Check the sewage tank for debris. Remove it immediately. In addition, the remaining solvent in the water tank should be discharged clean. [twist open water discharge plug (21) discharge]
- (3) Lift the wiper assembly off the floor and wipe the wiper strip with a wet towel.
- (4) Remove the vacuum suction screen device and rinse with clean water.
- (5) Wipe the machine clean with a special cleaner.
- (7) Check if the edge of the blade is sharp. If it is damaged, turn it around or replace it.



9.2 Monthly maintenance and maintenance

(1) Check the seal strip of the sewage tank cover. If there is any damage, please replace it

(2) Lubricate all lubrication parts and shafts with a specified lubricant.

(3) Check whether the fasteners are loose.

(4) Check the water tank for leaks.

9.3 Maintenance of motor

(1) For motor maintenance, please contact the manufacturer of automatic floor washer.

(2) Check the motor carbon brush every 250 hours after use. If the carbon brush wear seriously, please contact the manufacturer to replace.

9.4 Machine storage

(1) Store indoors and in a dry place.

(2) Keep it upright

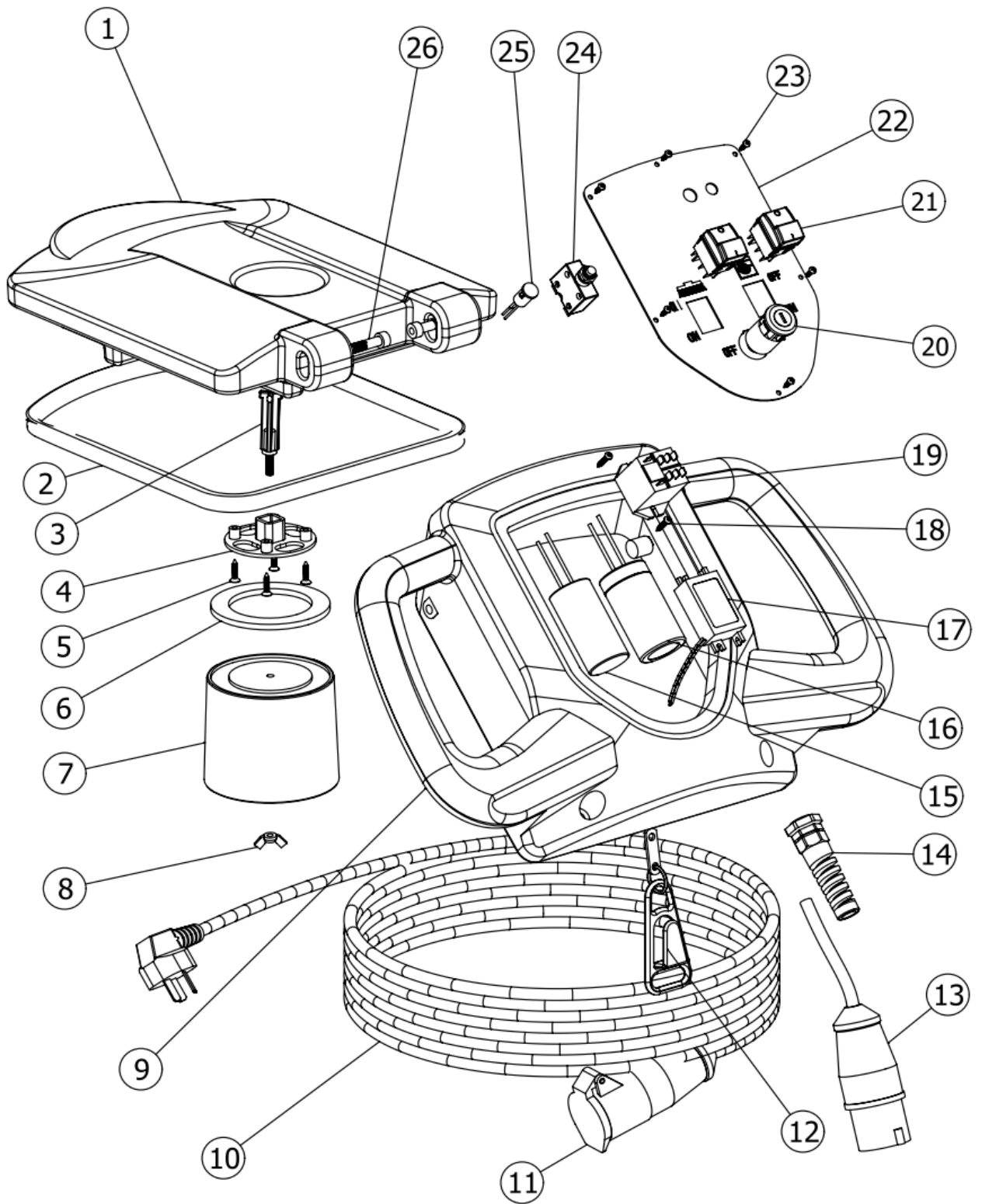
(3) Lift the brush tray off the ground.

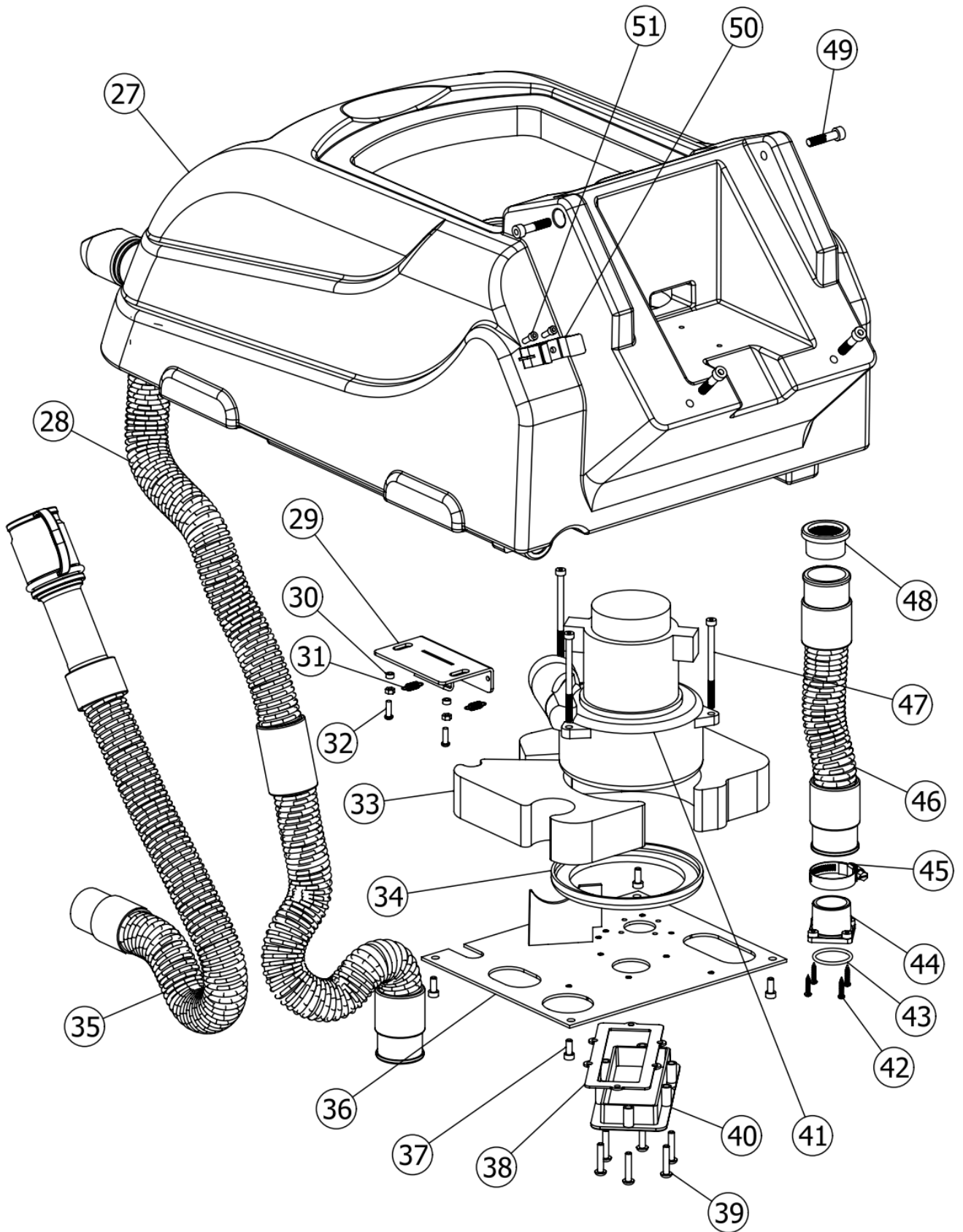
(4) Lift the wiper assembly off the ground.

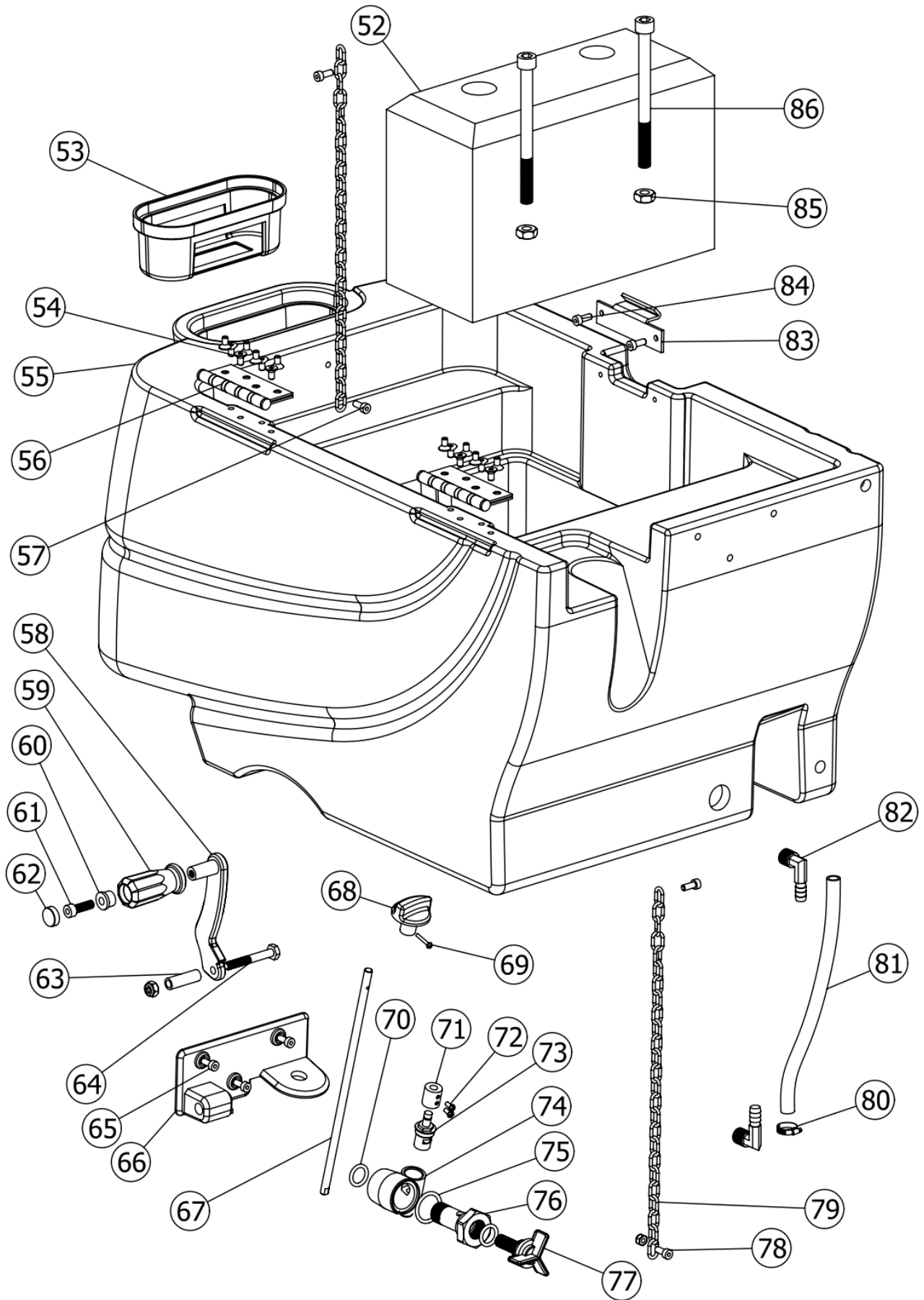
(5) If the storage place is extremely cold, the machine should be kept completely dry before storage to avoid damage caused by low temperature.

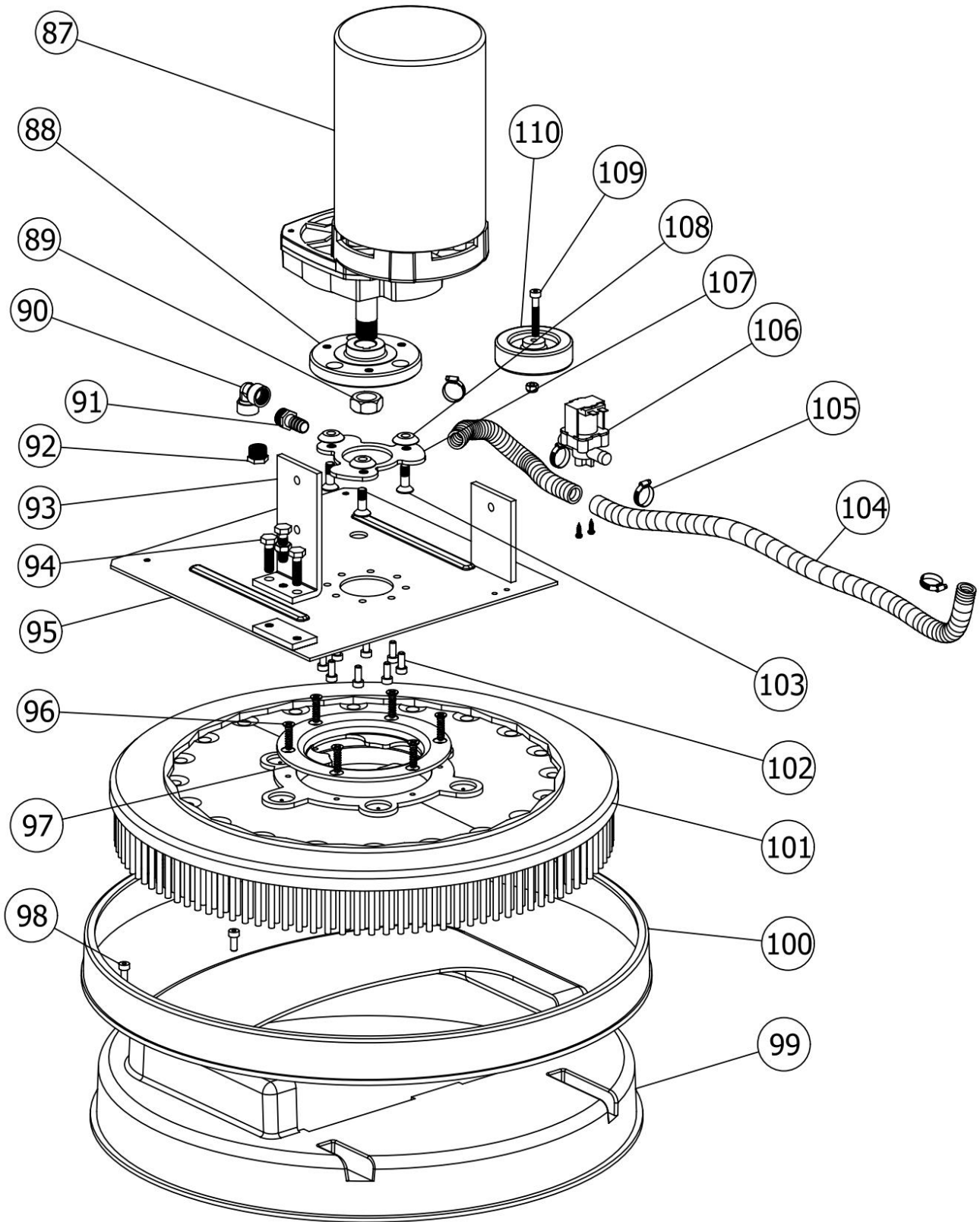
(6) Drain the sewage tank and clear water tank.

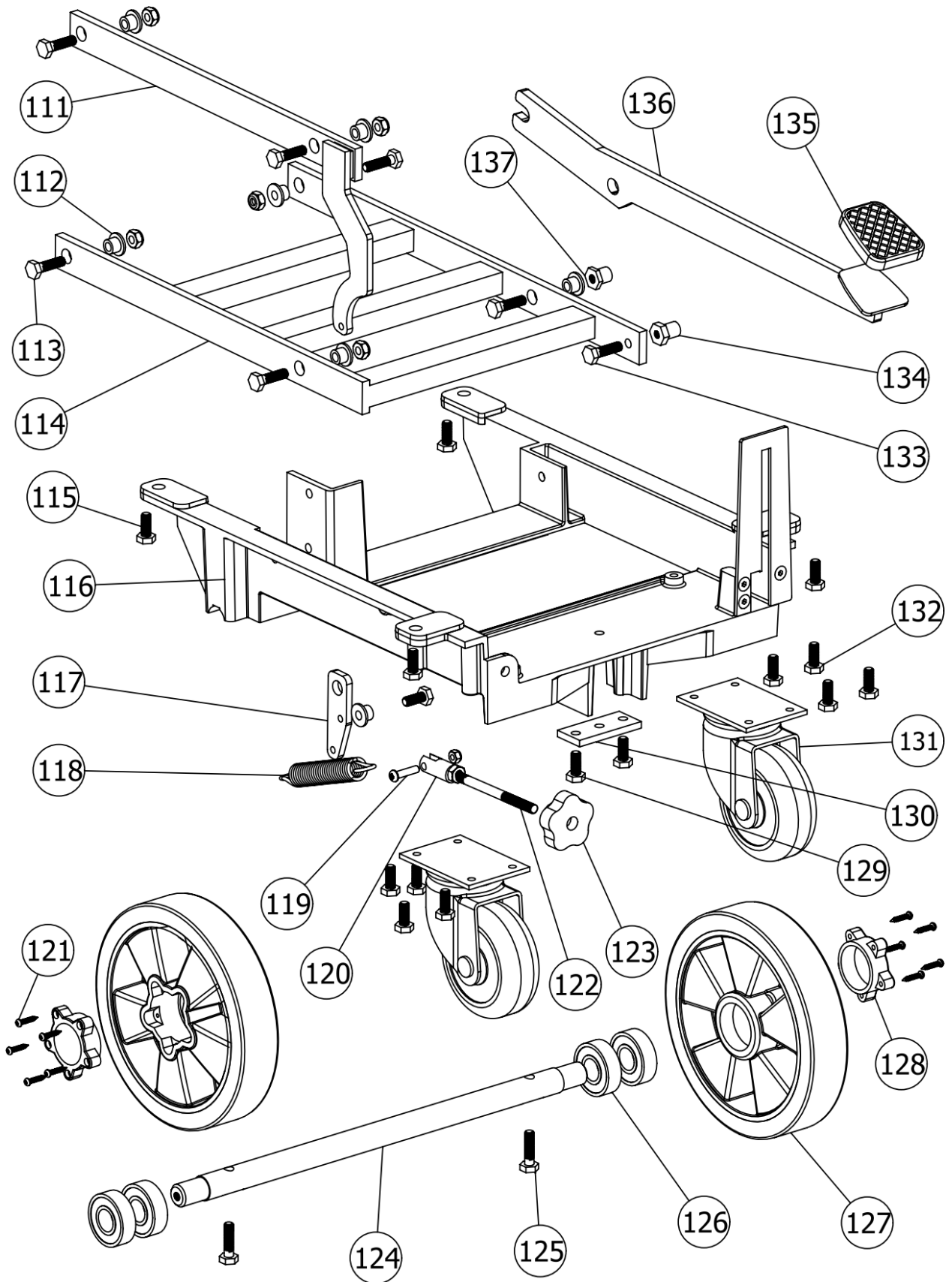
10. 0 Explosive view

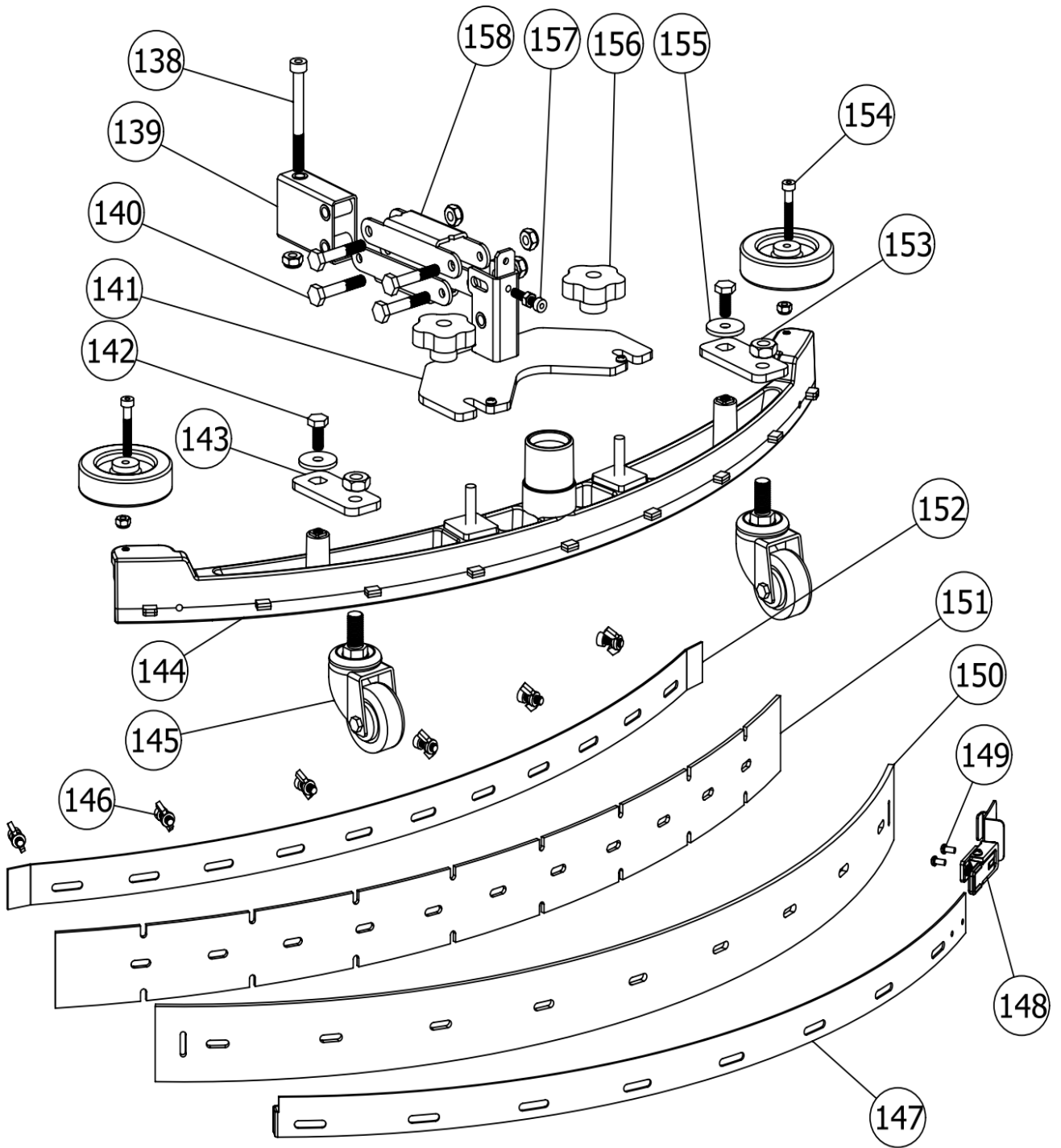












520BM explosive view

NO.	Name	Amount	Note
1	The tank cover	1	
2	Sealing strip	1	
3	Buoy needle	1	
4	Needle holder	1	
5	4X25 countersunk head self-tapping screw	4	
6	buoy soft washer	1	
7	buoy	1	
8	m6 butterfly nut	1	
9	handle box	1	
10	outlet	1	
11	Industrial plug (female plug)	1	
12	Hang line hook	1	
13	Industrial plug (male plug)	1	
14	Wire protector	1	
15	Running capacitor	1	
16	Starting capacitor	1	
17	Electron centrifugal switch	1	
18	4X10 head self-tapping screw	2	
19	Delay	1	
20	Power lock	1	
21	key switch	2	
22	panel	1	
23	3X10 pan head self-tapping screw.	6	
24	Overload protector	1	
25	Power indicator light	1	
26	M8X45 cylinder head with hexagon screw	2	
27	Sewage tank	1	Water absorbing capacity 55L
28	Suction pipe	1	
29	Movable buckle	1	
30	Movable buckle gasket	2	
31	Movable buckle spring	2	
32	M5X20 pan head screw (with nuts)	2	
33	The mute sponge	2	
34	Suction motor gasket	1	
35	Drainage pipe	1	
36	Suction motor mounting plate	1	
37	M6X16 cylinder head hexagon screw	4	
38	bellows soft rubber pad	1	
39	M6X30 half round head screw	6	
40	Bellow	1	

41	Suction motor	1	
42	5X20 pan head self-tapping screw	4	
43	40X3 “O” circle	1	
44	Suction pipe connect	1	
45	27-51 throat hoop	1	
46	Suction pipe	1	
47	M6X90 cylinder head hexagon screw	3	
48	bleed pipe network cover	1	
49	M8X35 cylinder head hexagon screw	2	
50	pipe clamp	1	
51	M5X16 cylinder head hexagon screw	2	
52	Cement weighting block	1	
53	water filter cover	1	
54	M6X12 countersunk head screw	16	
55	Clear water tank	1	
56	4-inch stainless steel hinge	2	
57	M6X16 cylinder head hexagon screw	2	
58	Lifting handle	1	
59	lifting gloves	1	
60	lifting glove accessories.	1	
61	M8X25 cylinder head hexagon screw	1	
62	lifting the glove end cover	1	
63	Lift the glove shaft sleeve.	1	
64	M8X60 external hexagon screw (with nut)	1	
65	M6X16 cylinder head hexagon screw	3	
66	Lifting handle holder	1	
67	water regulating lever	1	
68	Water regulating handle	1	
69	cotter	1	
70	24X3.5 “O” circle	2	
71	adjustment lever connection	1	
72	M4X12 pan head screw	2	
73	Water valve core	1	
74	Water valve housing	1	
75	34X3.5 “O” circle	1	
76	water valve fastener	1	
77	water valve filter core	1	
78	M6X16 cylinder head hexagon screw	2	
79	Oval stainless steel chain.	2	
80	13-20 hose hoops	2	
81	14X10 transparent hose	1	
82	Pagoda+G1/4 elbow nozzle	2	
83	Fastener buckle	1	
84	M6X16 cylinder head hexagon screw	2	
85	M12NUTS	2	

86	M12X160 cylinder head hexagon screw	2	
87	Brush motor	1	
88	Fastener alumcake	1	
89	M20X1.5nuts	1	
90	Three points bend	1	
91	3 point Outer tooth tower nozzle	1	
92	3point tooth copper set	1	
93	Brush horizontal adjustment	1	
94	M8X30 external hexagon screw	3	
95	Brush motor Fixed plate	1	
96	6.4X25 countersunk head self-tapping screw	6	
97	Brush fastener	1	
98	M6X16 cylinder head hexagon screw	2	
99	Brush cover	1	
100	Against hydrosphere	1	
101	Brush	1	
102	M6X12 cylinder head hexagon screw	8	
103	M8X25 countersunk head screw	3	
104	18X12PVC flexible rubber hose	2	
105	13-20 Hose hoops	4	
106	solenoid valve	1	
107	Three blades	1	
108	Cant meson	3	
109	M6X40 cylinder head hexagon screw(with nuts)	3	
110	edge wheel	3	
111	tension pin	1	
112	stents active cooper bush	7	
113	M8X30 outer hexagonal screw(with nuts)	5	
114	bush lifting stents	1	
115	M8X20 outer hexagonal screw	4	
116	the frame	1	
117	spring support	1	
118	compression spring	1	
119	M6X25 pan head screw (with nuts)	1	
120	fork rod	1	
121	4X20 pan head self-tapping screw	10	
122	M8X20 stud	1	
123	M8 butterfly nuts	1	
124	shaft	1	
125	M8X35 outer hexagonal screw	2	
126	6204 bearing	4	
127	8inch wheel	2	
128	Wheel cover	2	

129	M8X20 outer hexagonal screw	2	
130	Swing piece Positioning plate	1	
131	4 inch wheel	2	
132	M8X20 outer-hexagonal screw	8	
133	M8X30outer-hexagonal screw	2	
134	Pedal lever location piece A	1	
135	pedal rubber gasket	1	
136	pedal lever	1	
137	Pedal lever location piece B	1	
138	M8X80 cylinder head hexagon screw(with nuts)	1	
139	suction stent movable piece	1	
140	M8X45 outer hexagonal screw (with nuts)	4	
141	suction stent fixed palms	1	
142	M8X20 outer-hexagonal screw	1	
143	adjustable wheel support	2	
144	Suction stent main body	1	
145	Suction stent height adjustable wheel	2	
146	M6X25 cylinder head hexagon screw(with nuts)	6	
147	suction stent back clamp	1	
148	clamp buckle assembly	1	
149	M4X6 half round head screw (with nuts)	4	
150	strip after the water suction stent	1	
151	strip before the water suction stent	1	
152	suction stent front clamp	1	
153	M12 nuts	2	
154	M6X40 cylinder head hexagon screw(with nuts)	2	
155	8X30X3 meson	2	
156	M8 butterfly nut	2	
157	M6X30 cylinder head hexagon screw(with nuts)	1	
158	suction stent movable hinge	2	

ARCORA INTERNATIONAL GMBH

Marsstraße 9, 85609 Aschheim near Munich

Tel. +49(0)89 14 33 29 30

Fax. +49(0)89 14 33 29 329

www.arcora-group.com

info@arcora.de