



660BR/90L RIDE ON SCRUBBER DRYER MACHINE

Operator manual



contents

1.0 summary	3
2.0 summary of security matters	3
3.0 technical parameter	4
4.0 machine loading and unloading	5
5.0 disassembly of machine	5
6.0 instructions	5
6-1view	5
6-2view	6
6-3view	6
6-4view	6
6-5view	7
6-6view	7
6-7 brush installation diagram	7
6-8suction installation diagram	8
6-9accumulator link diagram	8
7.0 maintenance	8
8.0common faults and processing methods	9
660BR/90L explosion drawing	11
660BR/90L explosion drawing	12
660BR/90L explosion drawing	13
660BR/90L explosion drawing	14
660BR/90L explosion drawing	15
660BR/90L explosion drawing	16
explosion drawing list	17
Warranty card	21

summary



attention : Please read this manual carefully before operating

floor scrubber.

introduction

6 6 0 B R / 9 0 L is a compact miniautomatic ride on floor scrubber, suitable for using in medium environment, for cleaning stains on various hard floor, it can remove the stains and not absorbed by the floor cleaning solution recovery, it is a simple and high-efficient cleaning tool.

usage

Widely used in a large area of the airport, commercial complex, sports stadiums, municipal, inter-city train, factory production workshop, purifying workshop, food processing, electrical and top five-star hotel of semiopen square, underground parking, building channel site, regular circulation of the rapid mechanical floor cleaning, cleaning operations more efficient.

The device is not suitable for use in the rain or placed under the gun. It is strictly prohibited to use the equipment in the flammable and explosive environment to collect dangerous dust or flammable liquid. In addition, the equipment is not suitable for the use of transport.

Summary of security matters



attention: operator must read this manual carefully

- Before starting any work, be sure to be familiar with all the design, control methods and functions of this machine.
- first use of the machine, the operator should be placed in the open area to understand its various function
- Before starting any operation, check the machine and its parts in general and in state of operation.
- If the machine doesn't work properly, you can't use.
- The operator must be applied to the appropriate application areas when they operate the machine.
- Operation attention to the obstacles in the workplace, such as stairs, shelves and pay attention to the people around, especially in children.
- Using a suitable cleaning agent. washing machine cleaning agent is used only in accordance with the use of detergent manufactures, the use of cleaning agent according to the

appropriate does and limit requirements.

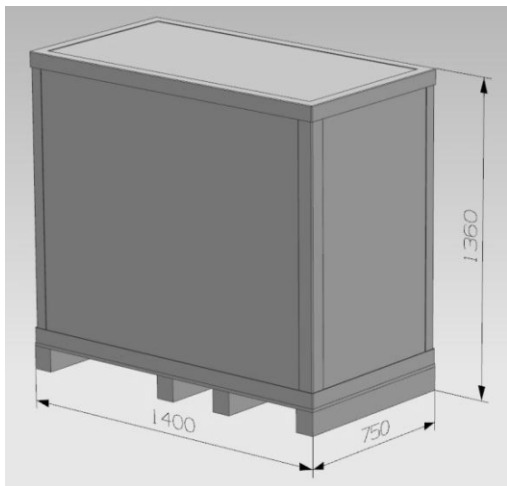
- Only by those who have received appropriate training using appropriate tools for maintenance and repair of the washing machine.
- The cleaning or maintenance of the washing machine to turn off power or remove the battery.
- To prohibit the use of high-pressure water or steam cleaning equipment for the washing machine.
- The prohibition of electrical components of water.



Note: the use of this cleaning machine to clean up flammable liquids, solvents, fuel, active metal water vapor or flammable dust.

item	parameter
voltage rating	DC24V
Working width	660mm
Suction width	980mm
efficiency	3800m ² /h
brush	325mm×2
Brush speed	180rpm
Brush motor	380W×2
Brush pressure	30kg
Suction motor	500W
Vacuum degree	160mbar
Working motor	500W
speed	0-6km/h
maximum gradability	10degrees (without water)

turning radius	900mm
Solution tank	90L
Recovery tank	100L
Noise level	68dB
Battery	Standard 2×DC12V/100Ah/3H max 2×DC12V/150Ah/3H
Weight	170kg



Package

Special packing fit for forklift loading and unloading. Can not stack. The net weight is 260kg (without packing)

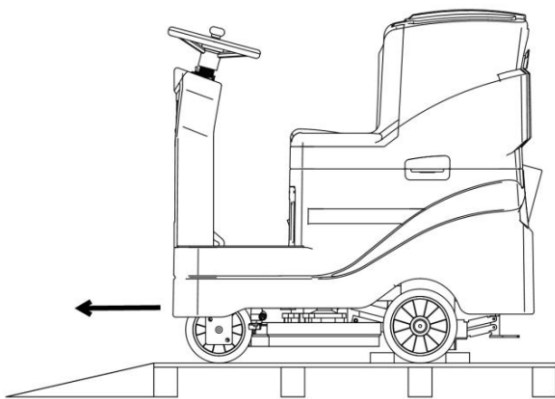
dimension:

length: 1400mm

width: 750mm

Height: 1390mm (standard pallet)

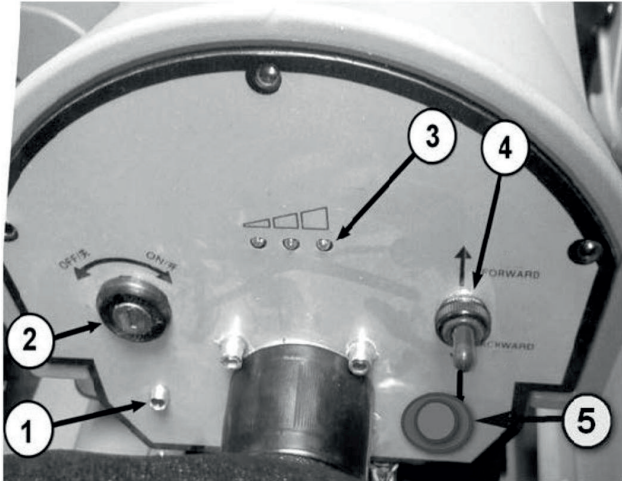
1340mm (lower pallet)



machine disassembly

- Take the bag-packed machine in a wide area to remove the outer packing.
- remove the wedge of the fixed wheel.
- Check if the brush base and squeegee mounting brackets are raised.
- release the motor brake handle after lifting.
- release the motor brake handle after lifting.

direction for use



- ① power indicate light
- ② power key switch
- ③ quantity of electricity: three lights are all on when full power, if only left light flashed, please immediately turn off the machine and charge the battery

④ the front and rear walking converter

⑤ Emergency stop switch



⑥ loudspeaker button

⑦ squeegee lifting handle (when the power lock open, put down this handle, the suction motor will work automatically, at this moment the machine can not backward, the handle must be raised it.

⑧ brush lifting handle ⑨ accelerator pedal, brush will work)

⑨ accelerator pedal (from shallow to deep, the machine will from slow to fast)

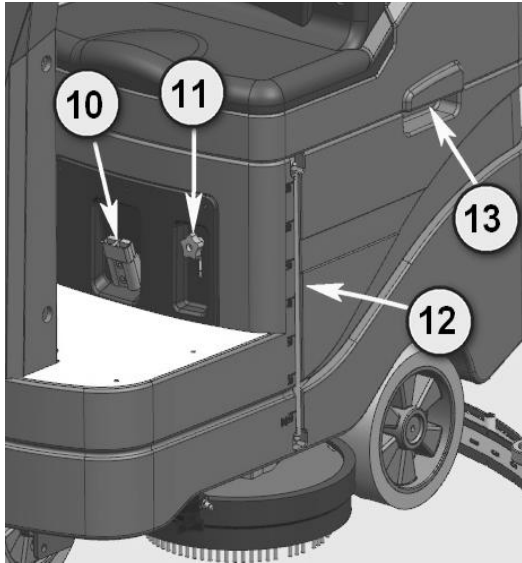
⑩ charging socket

⑪ Water valve switch adjustment button: twist

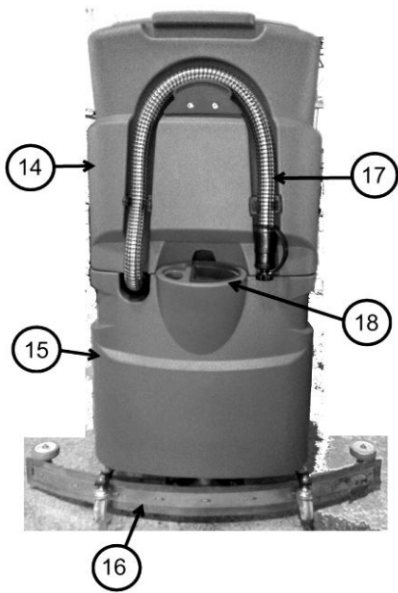
loose up to open -
Big, down by the small - off

⑫ water gauge

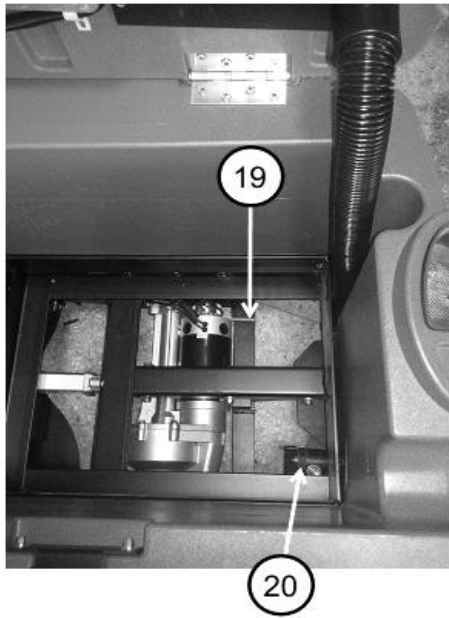
⑬ water tank handle: holding and pull it out to



open the recovery tank.



- ⑭ recovery tank
- ⑮ solution tank
- ⑯ squeegee
- ⑰ drain out pipe
- ⑱ filling pipe end

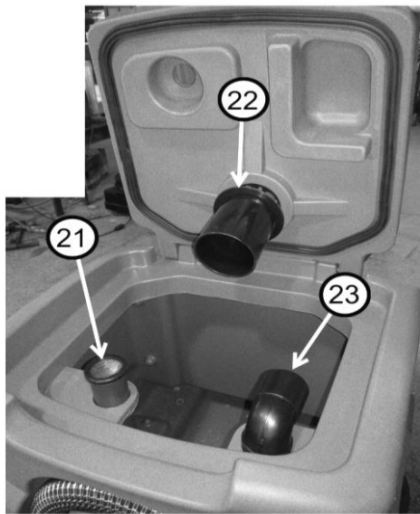


⑱ drive axle electronic brake conversion handle.

:Dial up to stop the use of electronic brake machine can not use the electric power to walk, you can use human resources.

Dial down to enable electronic brake, foot pedal can walk, release the pedal will automatically stop the brake, using human power to push.

⑳ water filter (back) : There is a filter in front and behind (the back one can be removed).



㉑ Vacuum suction filter net

㉒ Floating plate

㉓ Sewage suction port

㉔ brush pedestal



Brush installation diagram:

1.put ⑧ handle up

2. ㉔ brush pedestal will rise automatically

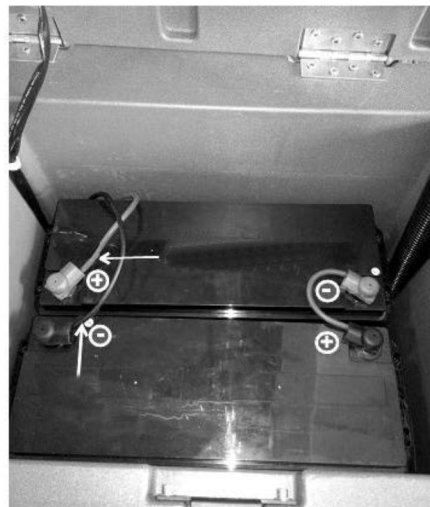
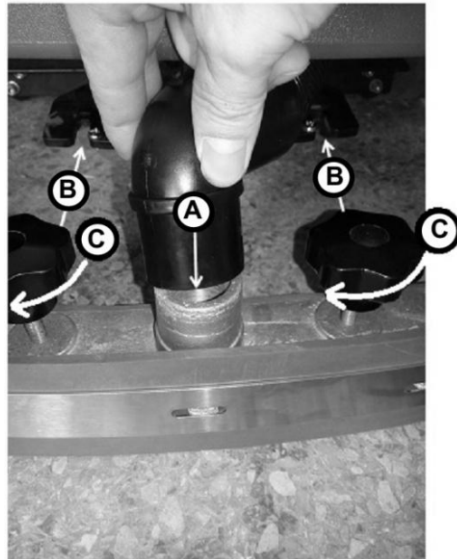
3.the brush on the ground, from the side to push it into the brush under the lid, Visual Basic is the brush cover round center.

4.put ⑧ handle down, the brush cover down automatically on the brush plate

5.stepping on ⑨ the pedal to intermittent light two or three, the brush will be automatically installed.

Squeegee installation diagram:

- 1.put squeegee in the correct location of tank back, then pull out the suction pipe joint out of the cylinder into the middle of the water column (A)
- 2.put the bottom of stud insert (B)
- 3.The plum nut (C) according to the direction indicated by appropriate tightening will be installed by hand.



1)

1.daily maintenance:

- (1) Washing brush with water, suction and residual detergent, and drying.
- (2) drain out the water both in solution tank and recovery tank, and clean by clean water. Check if there are debris left, if yes, please remove immediately
- (3) do not put water in the tank for a long time (especially containing detergent) to keep tank water tank without water after work.
- (4) raise the squeegee assembly off the floor and wipe the rubber with a wet towel
- (5)
- (6) charge the battery. (ensure that the battery has a complete charging time after using intermittent charging can not replace the complete charging)

2.weekly maintenance

- (1) check inlet filter and Inlet filter for dirt, wash and dry the sponge and put it back.
- (2) Check if the water absorbent strip and the ground contact is uniform, if not, please adjustment
- (3) Check if all wheels of machine twine with hair,if so, remove it immediately.
- (4) If the use of fire hydrant water , check filter net once a week, remove object immediately.

Cleaning should pay attention to the motor inlet is absolutely not water, in order to prevent misuse, it is recommended to cover the motor in the air inlet

3.monthly maintenance

- (1) If the use of city water, check filter net once a month.

Make a deep cleaning of rotary wheels every month,clean hair in it, properly refueling.

- (2) Check if the rubber blade is wear or scratched, if need,change another side
- (3) Check if the charger is normal.remove stains on charger. if the electric cable and charger become flexible and the charger is tympanites
- (4) Put machine in a dry place.if not,machine life will be reduced.

motor maintenance

- (1) please contact floor scrubber manufacturer directly.
- (2) every 250 hours of use, should check the motor brushes. If the wear is serious, please contact the manufacturer to replace.

battery maintenance

- (1) Intermittent charging can not replace the full charge .
- (2) Full charge refers to uninterrupted charging time is greater than 8 hours.
- (3) charging when battery low power.Prohibited to continue using after a period of time.
- (4) keep battery surface clean.
- (5) regularly check whether the battery cable wear and contact loose, if necessary, please replace..

machine storage

- (1)stored in the room, stored in a dry place.
- (2)upright storage.
- (3)Dry machine surface and open recovery tank.
- (4) drain solution and recovery tank.
- (5) if the storage place is extremely cold, need to keep the machine completely dry before the storage machine, in order to avoid low temperature damage.

8.0 common faults and solutions

fault	reason	solution
Machine not working	Not open power switch	Open power switch
	Emergency stop switch not reset	Reset emergency stop switch
	Walking motor in the state of	Reset push control rod of

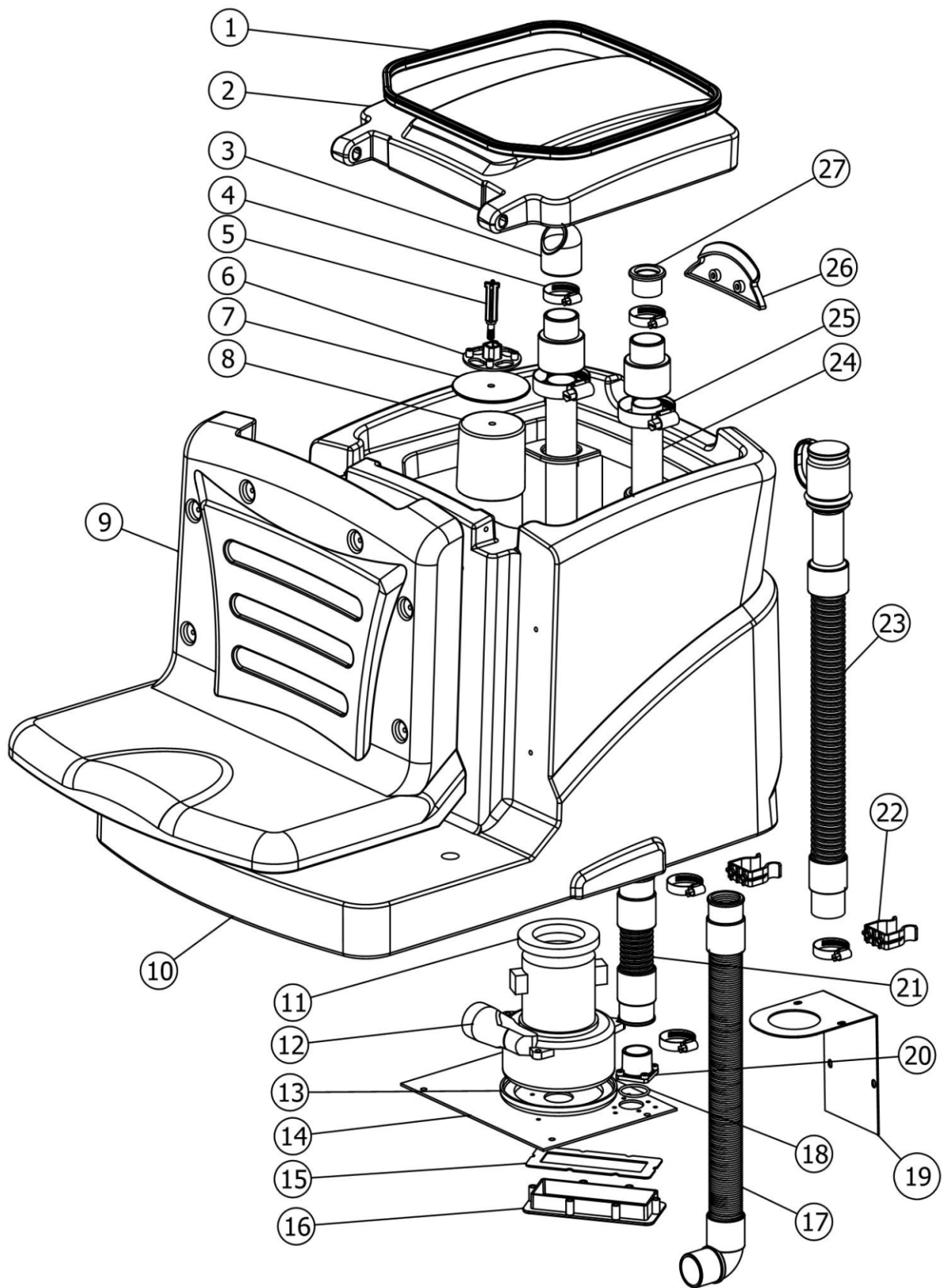
	push	walking motor
	Battery low power	charging
	Battery damage	Replace battery
	Battery connection line loosen	tighten connection line
	Fuse damage	Replace fuse
	Power key switch damage	Contact supplier
Brush motor not working	Brush not contact with floor	Put down brush
	Low battery	Charging
	Brush lifting protection switch damaged	Contact supplier
	Brush motor damaged or its line damaged	Contact supplier
	Brush motor carbon brush wear	Contact supplier
	Electromagnetic switch damage	Contact supplier
Machine not running	Controller overload protection start	Turn off the power switch and wait for 2 minutes
	Walking motor in the state of push	Reset push control rod of walking motor
	Controller damaged	Contact supplier
	Drive motor or its line damaged	Contact supplier
	Brush motor carbon brush wear	Contact supplier
Suction pump can not run	Suction pump overload fuse burn off	Replace fuse
	Water pump or line damage	Contact supplier
	The suction pump wear serious	Contact supplier
Poor water absorption performance	The ball valve is too small or closed.	Adjust flow switch
	Flow switch is too small or closed	Adjust flow switch
	Solution hose or filter blockage	Rinse pipe or filter strainer with clean water
	Drain solenoid valve blocking	Open water solenoid valve cleaning
Poor water absorption performance	recovery tank full	Drain recovery tank
	The pipe plug is loose.	Tighten the pipe plug.
	Floating ball filter blocking	Rinse floating ball filter
	Squeegee assembly blocking	Rinse squeegee assembly
	Rubber abrasion	Change the other side of replace
	Rubber position is not correct	Adjust the rubber
	The suction pipe is not connected reliably with the squeegee assembly	Reliable connection suction pipe

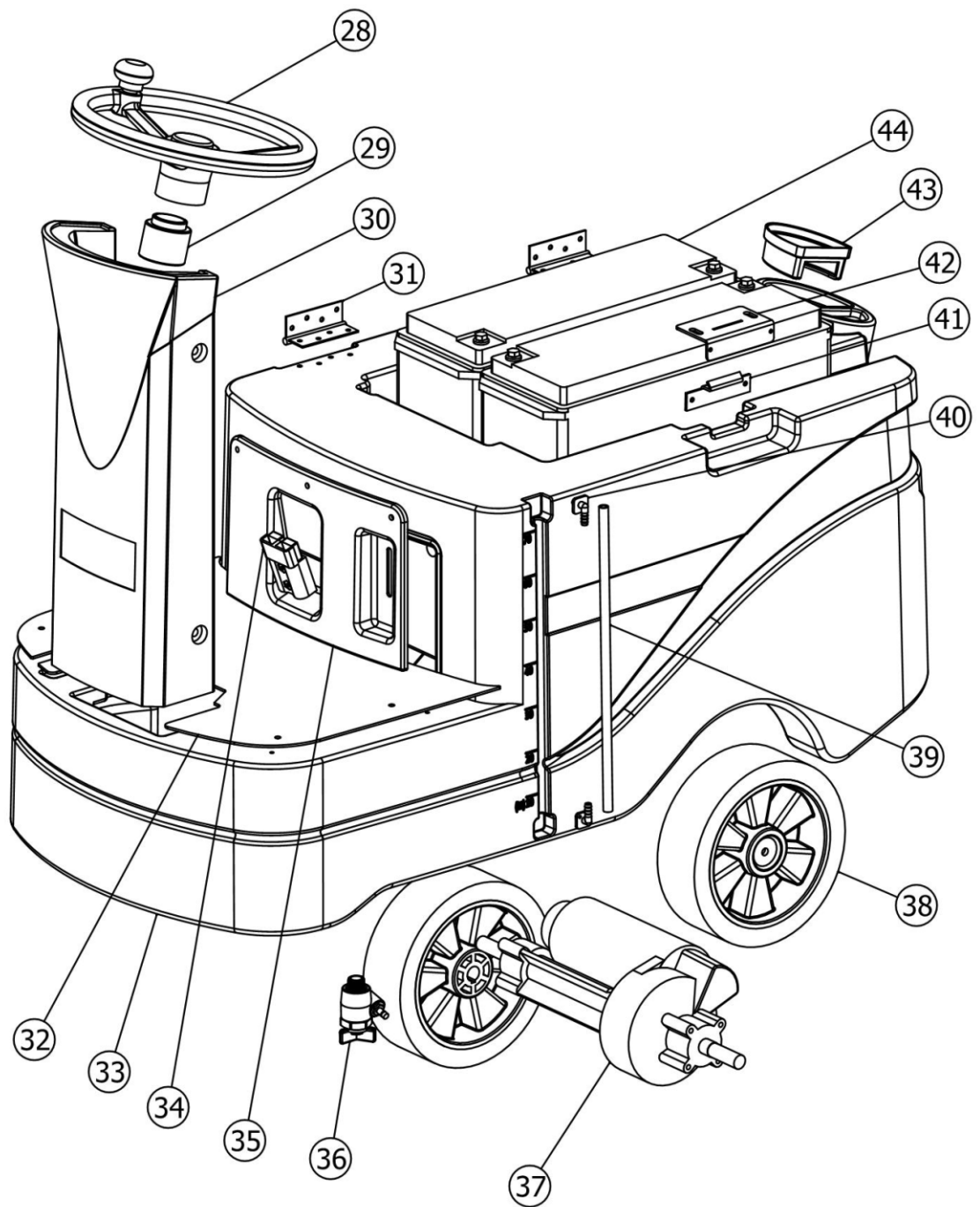
	Suction pipe blockage	Clear blockage
	Water absorption pipe damage	Replace
	recovery tank cover sealing strip	Cover up
	recovery tank cover sealing strip	Replace sealing
	Suction pump damage	Contact supplier
Short running time	Battery low	charging
	Battery damaged	Replace battery
	Battery need maintenance	Check battery maintenance
	Charger damaged	Repair or replace charger

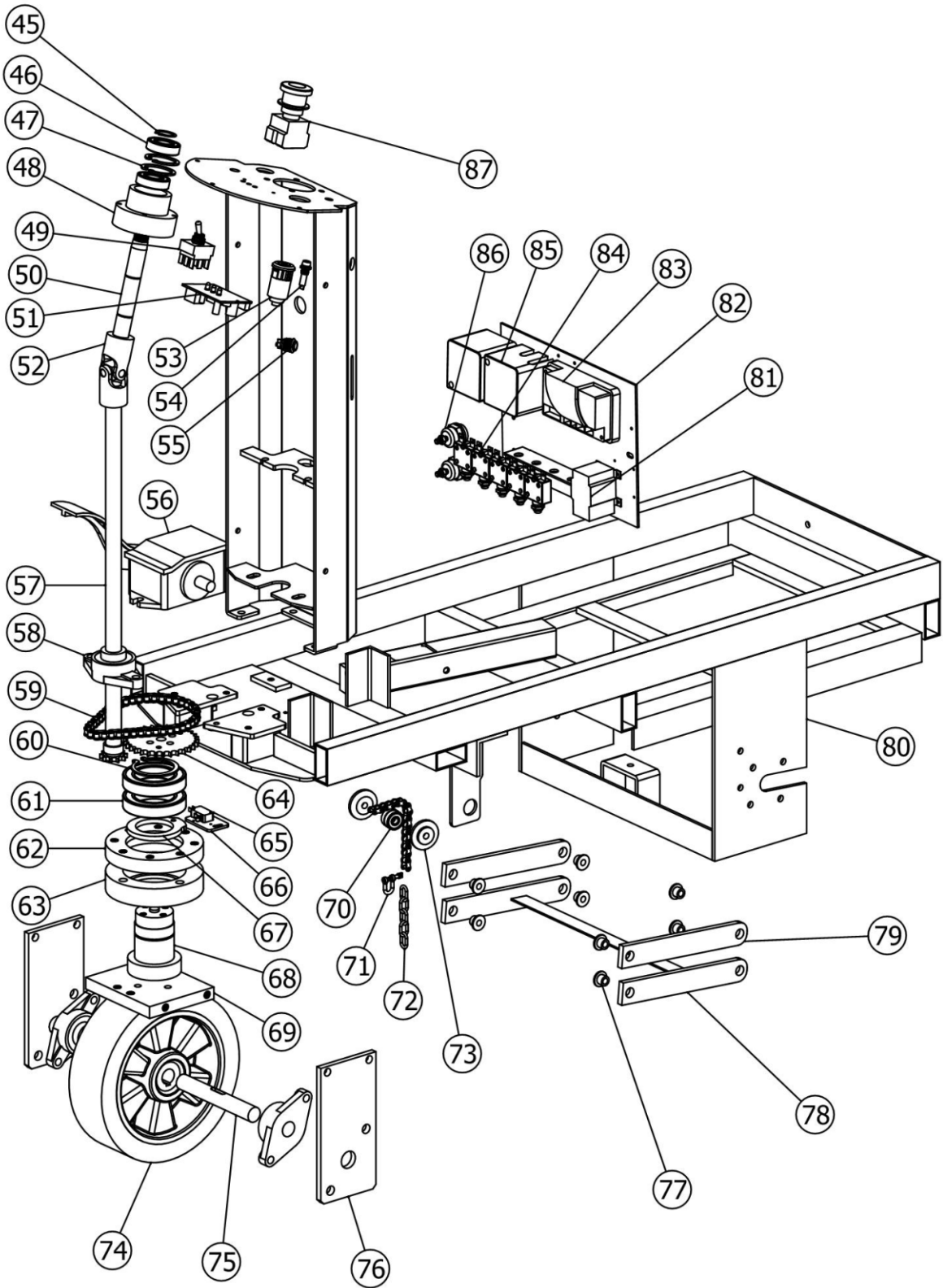


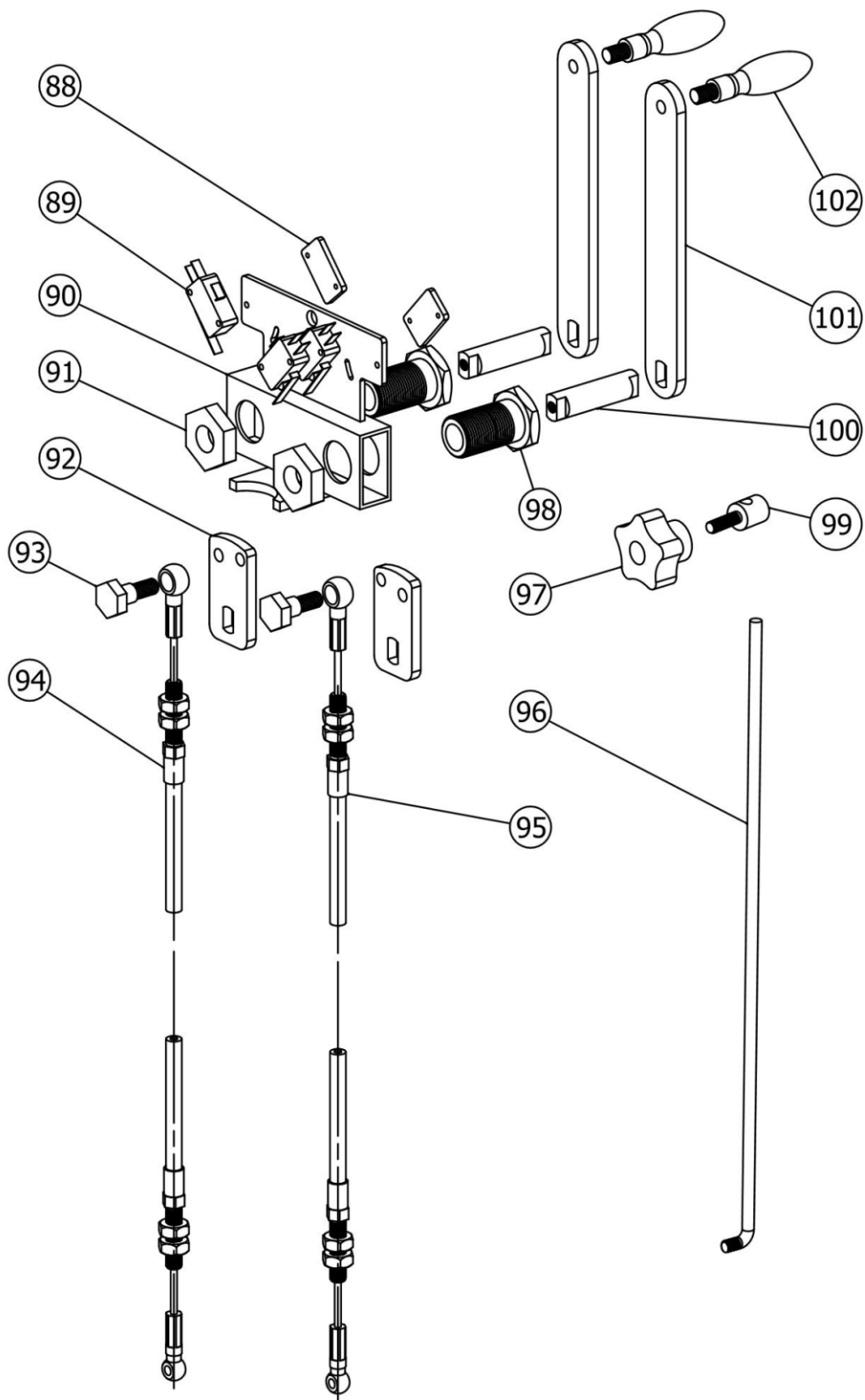
attention:extra tip

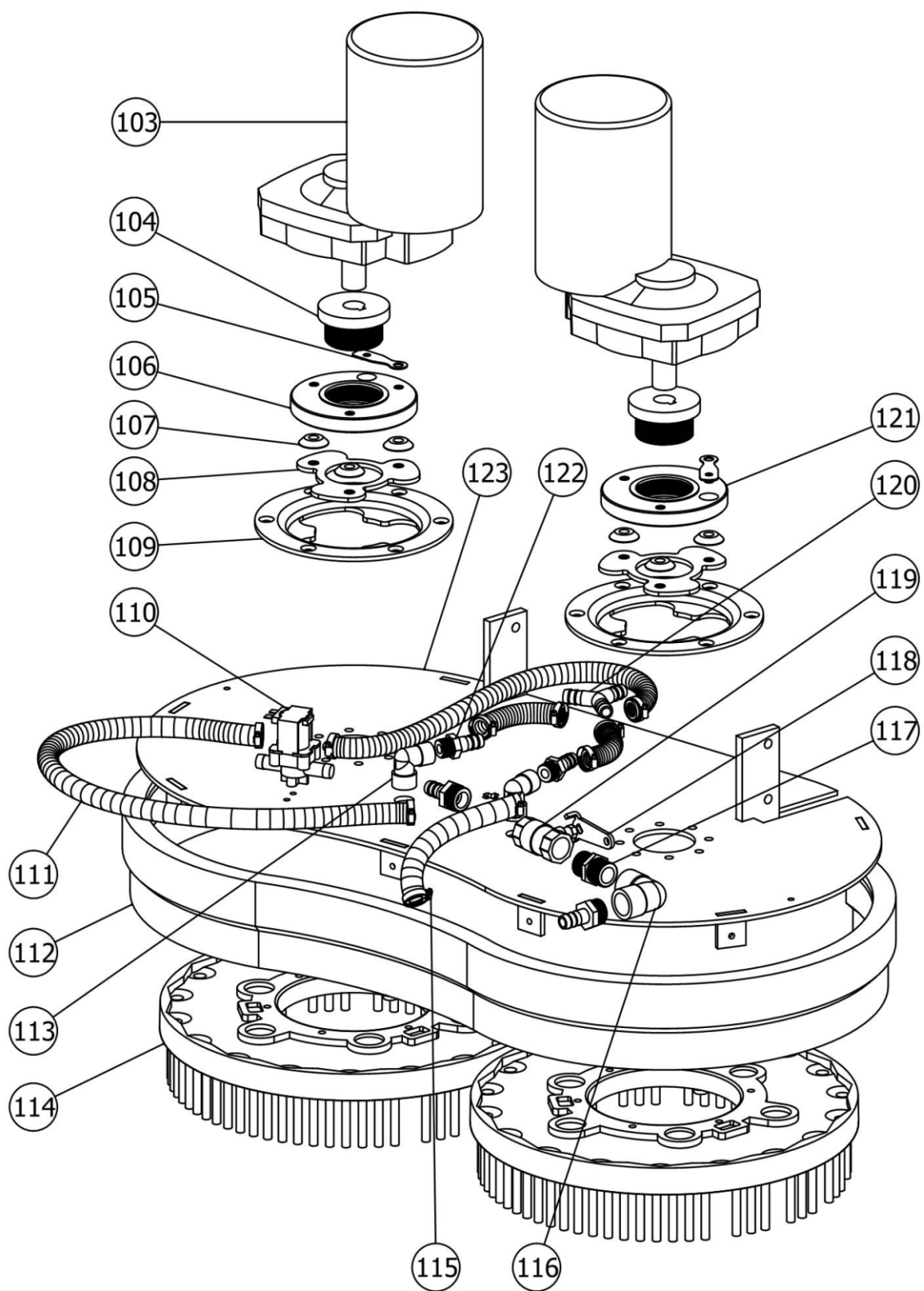
When a higher step or obstacle is encountered on the ground to block, the machine may not pass, even treat accelerator continuously,Probably not.In order to protect the motor from being burnt, the controller initiates overload protection, temporarily disable the accelerator pedal.Eliminate overload protection: Turn off the power switch and wait for 2 minutes 。If you must pass through the machine can not go through obstacles, lease lift the handle indicated in Figure 19 of the instruction manual。 Think of a way to use human resources.

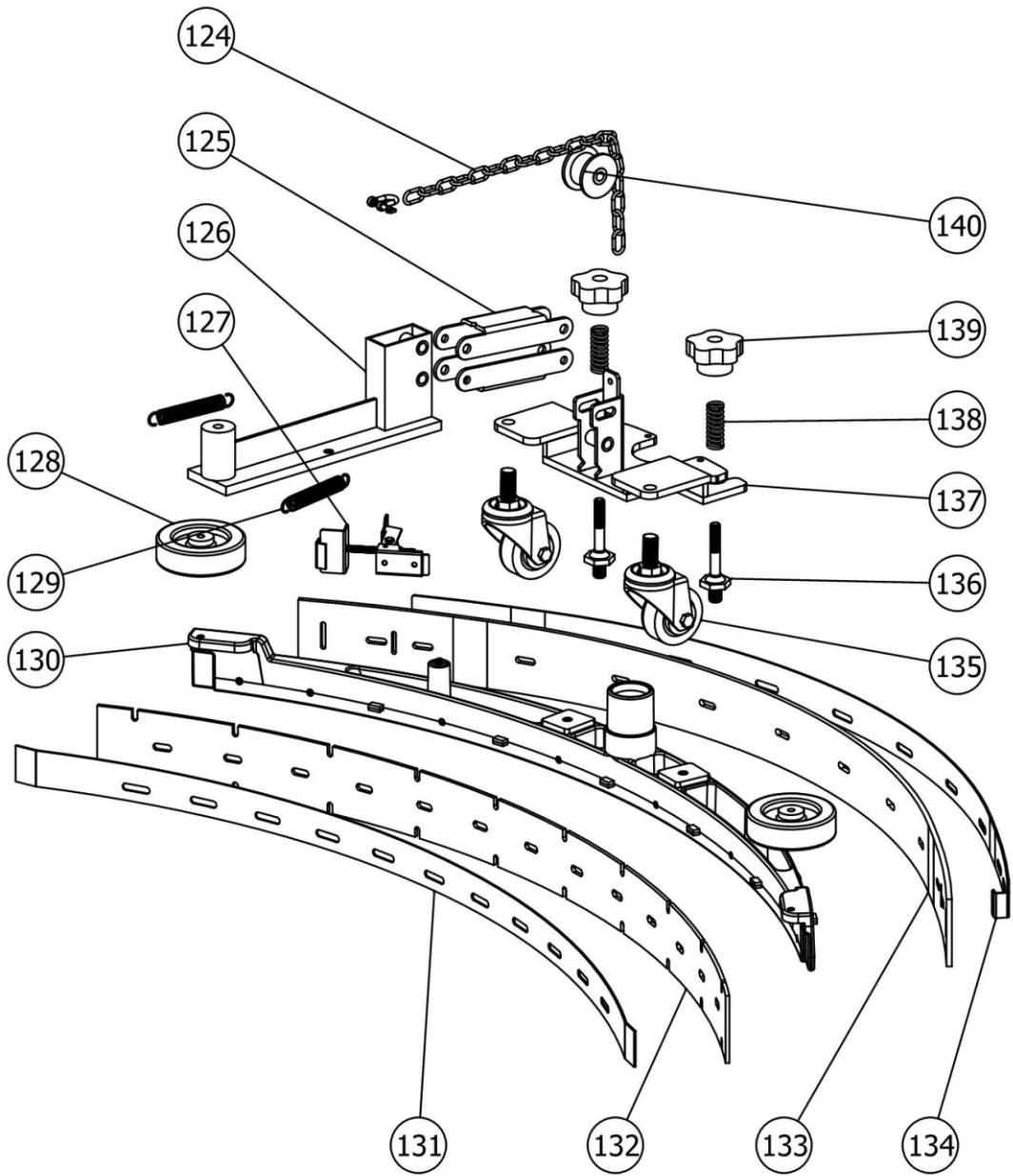












ARCORA®

www.arcora-group.com

www.arcora-group.com

Arcora International GmbH

Marsstrasse 9

85609 Aschheim near Munich

info@arcora.de

