

# ARCORA®

GERMANY



COLOUR CAN CHANGE

**ECOBLACK**  
TECHNOLOGY





Recycling from battery cases



ARCORA's ECOBLACK TECHNOLOGY is made from recycled materials into strong and long-lasting plastic. Compared to the manufacturing of new and original materials, this technology enables to save a large amount of CO2. The ECOBLACK series is mostly made of recycled materials from battery cases and convinces with robust and user-friendly design.

# ECOBLACK 45

item-no.: EB45RC  
units: 2 Set's

- Black, recycled durable plastic frame
- 4 smooth-running wheels, 360° rotatable
- 2 separated 20 liter buckets in black with blue and red handles
- Recycled plastic wringer in black
- Side shelf for mop holder
- Handle grip for leading the trolley and holder for aluminum handle
- With side tray

**KG** Gross weight: 10,00 kg  
Net weight: 8,30 kg



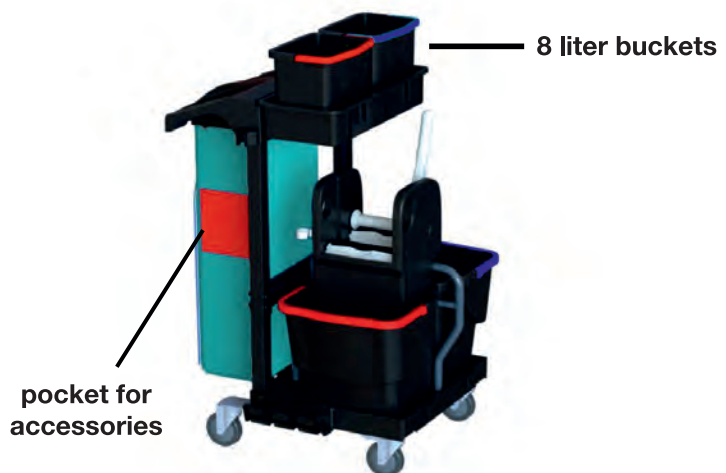
WITH SIDE TRAY



# ECOBLACK 100

item-no.: EB100RC  
units: 1 Set

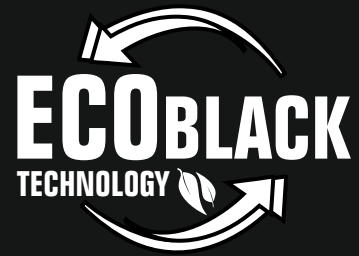
- Black, recycled durable plastic frame
- 4 smooth-running wheels, 360° rotatable
- 2 separated 20 liter buckets in black with blue and red handles
- 2 separated 8 liter buckets in black with handle in blue and red
- Recycled plastic wringer in black
- Waste/laundry bag with cover and zipper, included a side pocket for accessories
- Side shelf for mop- and handle holder



**KG** Gross weight: 16,80 kg  
Net weight: 14,80 kg



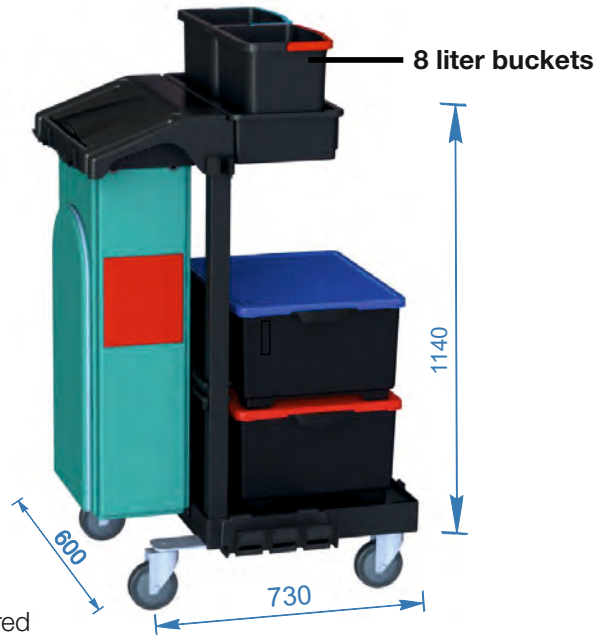
Recycling from battery cases



# ECO BLACK 120

item-no.: EB120RC  
units: 1 Set

- Black, recycled durable plastic frame
- 4 smooth-running wheels, 360° rotatable
- 2 plastic boxes in black with lids in blue and red
- 2 x 8 liter buckets in black with handles in blue and red
- Waste/laundry bag with cover and zipper, included a side pocket for accessories
- Side shelf for mop- and handle holder

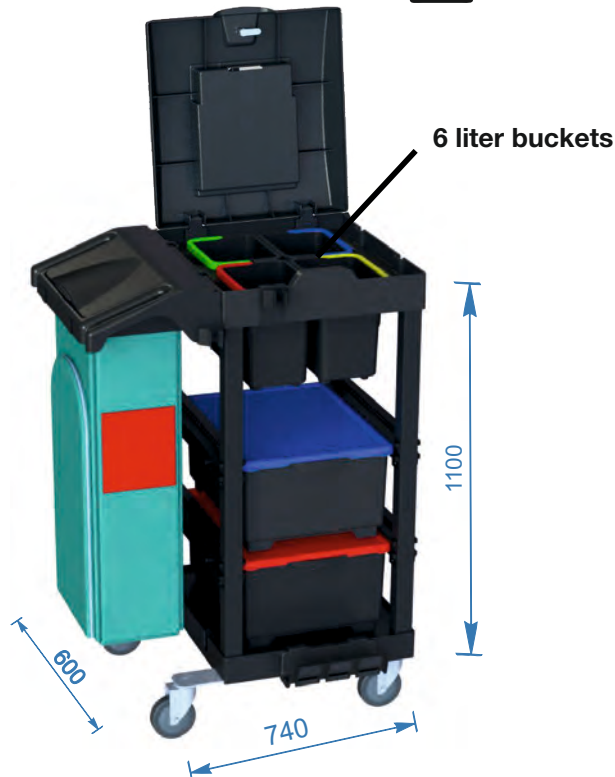


Gross weight: 17,00 kg  
Net weight: 15,00 kg

# ECO BLACK 140

item-no.: EB140RC  
units: 1 Set

- Black, recycled durable plastic frame
- 4 smooth-running wheels, 360° rotatable
- 2 plastic boxes in black with lids in blue and red
- 4 x 6 liter buckets in black with handles in blue, green, yellow, red in lockable closed area with manually lockable lid incl. storage for documents and tablet
- Waste/laundry bag with cover and zipper, included a side pocket for accessories
- Side shelf for mop- and handle holder



Gross weight: 22,75 kg  
Net weight: 20,75 kg

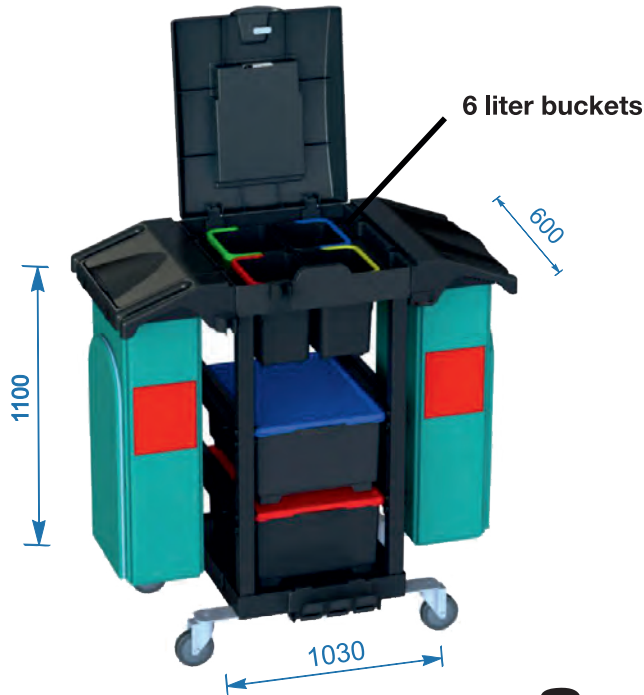


Recycling from battery cases



# ECO BLACK 150

item-no.: EB150RC  
units: 1 Set



- Black, recycled durable plastic frame
- 4 smooth-running wheels, 360° rotatable
- 2 plastic boxes in black with lids in blue and red
- 4 x 6 liter buckets in black with handles in blue, green, yellow, red in lockable closed area with manually lockable lid incl. storage for documents and tablet
- 2 waste/laundry bag with cover and zipper, included a side pocket for accessories
- Side shelf for mop- and handle holder



Gross weight: 25,50 kg  
Net weight: 23,50 kg

# ECO BLACK 440

item-no.: EB440RC  
units: 1 Set



- Black, recycled durable plastic frame
- 4 smooth-running wheels, 360° rotatable
- 2 separated 20 liter buckets in black with blue and red handles
- 4 x 8 liter buckets in black with handles in blue, green, yellow, red
- Recycled plastic wringer in black
- 1 x plastic shelf in black
- Separated waste/laundry bag with cover incl. storage for documents and tablet
- Plastic storage tray in black below the waste/laundry bag
- Side shelf for mop- and handle holder



Gross weight: 25,00 kg  
Net weight: 22,50 kg



Recycling from battery cases



# ECO BLACK 450

item-no.: EB450RC  
units: 1 Set



- Black, recycled durable plastic frame
- 4 smooth-running wheels, 360° rotatable
- 2 separated 20 liter buckets in black with blue and red handles
- 4 x 6 liter buckets in black with handles in blue, green, yellow, red in lockable closed area with manually lockable lid incl. storage for documents and tablet
- Recycled plastic wringer in black
- 1 x plastic shelf in black
- Separated waste/laundry bag with cover incl. storage for documents and tablet
- Plastic storage tray in black below the waste/laundry bag
- Side shelf for mop- and handle holder



Gross weight: 25,00 kg  
Net weight: 22,50 kg





Recycling from battery cases



# ECO 550 BLACK 550

item-no.: EB550RC  
units: 1 Set



- Black, recycled durable plastic frame
- 4 smooth-running wheels, 360° rotatable
- 2 separated 20 liter buckets in black with blue and red handles
- 4 x 6 liter buckets in black with handles in blue, green, yellow, red in lockable closed area with manually lockable lid incl. storage for documents and tablet
- Recycled plastic wringer in black
- 1 x plastic shelf in black
- 1 x plastic deep tray in black without cover
- Includes plastic doors, manually lockable
- Separated waste/laundry bag with cover
- Plastic storage tray in black below the waste/laundry bag
- Side shelf for mop- and handle holder



Gross weight: 32,25 kg  
Net weight: 29,75 kg

# ECO 750 BLACK 750

item-no.: EB750RC  
units: 1 Set



- Black, recycled durable plastic frame
- 6 smooth-running wheels, 360° rotatable
- 2 separated 20 liter buckets in black with blue and red handles
- 4 x 6 liter buckets in black with handles in blue, green, yellow, red in lockable closed area with manually lockable lid incl. storage for documents and tablet
- Recycled plastic wringer in black
- 1 x plastic shelf in black
- 1 x plastic deep tray in black without cover
- Includes plastic doors, manually lockable
- Separated lockable waste/laundry bag cabinet with cover and zipper
- Side shelf for mop- and handle holder



Gross weight: 40,30 kg  
Net weight: 37,80 kg



Recycling from battery cases



### THE VACUUM CLEANER FOR BUILDING CLEANING

#### PROPERTIES

This dry vacuum cleaner, made of recycled materials has been specially designed for the professional use and application in building cleaning.

- Stable construction, tilt-proof
- Made from recycled materials of battery cases
- Easy handling
- Accessory storage on the device
- Parking position for floor nozzle
- 5-fold filtered → ensures long life of the motor
- Including floor nozzle, crevice nozzle long & short, upholstery nozzle, cartridge filter, suction tube, suction hose and fleece filter bag



#### APPLICATION AREA

Suitable for use on a wide range of flooring types, from carpets to laminate flooring. Ideal for daily maintenance cleaning in building and property cleaning.

# ECOBBLACK S9Q

TECHNICAL SEPCIFICATIONS	
Mains voltage	230 V / 50 Hz
Max. Power	900 W
Water column	2500 mm H <sub>2</sub> O
Air delivery	53 l/s
Working width	275 mm
Noise level	68 dB
Volume	7 Liter
Cable length	10 m
Weight	7 kg
Size	33x40x40 cm

INCLUDED IN SET			
 FLOOR NOZZLE	 UPHOLSTERY NOZZLE	 CREVICE NOZZLE LONG	 CREVICE NOZZLE SHORT
 CATRIDGE FILTER	 SUCTION HOSE		 SUCTION TUBE
	 1x FLEECE FILTER BAG Art.-No.: S9Q-VFT		

item-no.: EBS9Q  
units: 1 Set

