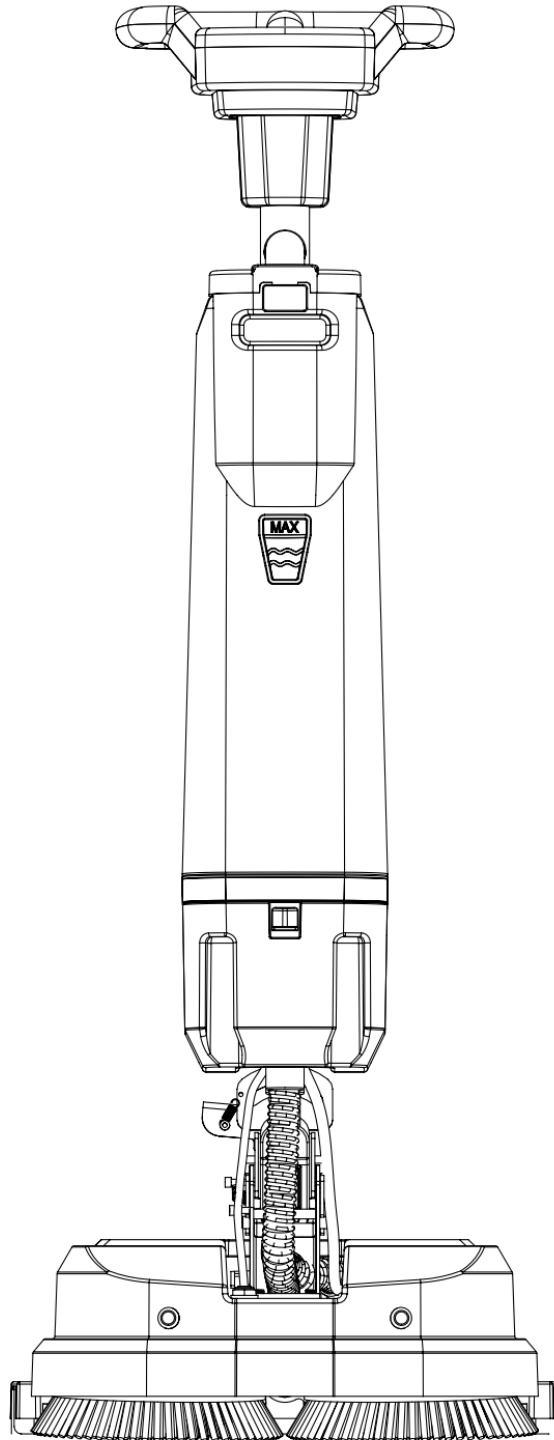




**BLANCUS 40 COMPACT SCRUBBER DRYER MACHINE**



Please read this manual carefully before use

## 1.0 Overview



**Notice:** Please read this manual carefully before operating the BLANCUS 40 scrubber-dryermachine.

BLANCUS 40 miniature automatic floor scrubber is a mechanical movement of disc brush and chemical action of water and detergent solution, which can be used to clean hard floors with various stains, and collect the removed stains and untreated stains while doing it. A machine for floors to absorb cleaner solutions.

### Use:

The scientific name of the machine is a miniature fully automatic scrubber. It is suitable for fast mechanized floor cleaning of small office buildings, hotels, restaurants and workshops, etc., and the cleaning operation is more efficient and faster.

This device is not suitable for use in the rain or under a water jet. It is strictly forbidden to use this device to collect dangerous dust or flammable liquids in flammable and explosive environments. In addition, the device is not suitable for use as a means of transportation.

## 2.0 Summary of Security Matters



**Notice:** Operators please read this manual carefully

- Before starting any work, it is important to familiarize yourself with all of the scrubber's design, controls and functions.
- When using the scrubber for the first time, the operator should place it in an open area to understand its various functions.
- Before starting any operational work, check the general and operational condition of the scrubber and its parts.
- If the floor scrubber isn't working properly, the equipment cannot be used.
- The operator must use the scrubber for the proper application (cleaning hard floors).
- When operating, pay attention to obstacles in the workplace, such as stairs, shelves, etc., and pay attention to the surrounding people, especially children.
- Use appropriate cleaning agents (only use cleaning agents in accordance with the cleaning agent manufacturer's instructions, with appropriate dosages and restrictions).
- This scrubber should only be maintained and serviced by properly trained personnel using suitable tools.
- Turn off the power or remove the battery when cleaning or maintaining the scrubber.
- Don't use high-pressure water or steam equipment to clean the scrubber.
- Prohibit electrical components from entering water.



**Notice:** ▲ Don't use this scrubber to clean flammable liquids, solvents, fuel oil, active

metal vapor or flammable dust.

▲ Electric shock hazard. Don't use damaged wires. Unplug the power cord before servicing.

▲ FOR SAFETY: Using an incompatible battery charger may result in battery damage or fire.

### 3.0 Blancus 40 Floor Scrubber Specifications

| ITEM                          | Specifications              |
|-------------------------------|-----------------------------|
| Voltage                       | DC36V                       |
| Working width                 | 42cm                        |
| Water absorption width        | 44cm                        |
| Work efficiency               | 700m <sup>2</sup> /h        |
| Brush disc diameter (bristle) | 17.5cm ( 21cm )             |
| Brush speed slow/fast         | 270/340rpm                  |
| Brush motor                   | 2*150W                      |
| Brush plate pressure          | 11kg                        |
| Suction motor                 | 150W                        |
| Vacuum                        | 120mbar                     |
| Turning radius                | 30cm                        |
| Clean water tank capacity     | 2L                          |
| Sewage Tank Capacity          | 3.5L                        |
| Noise level                   | 63dB                        |
| Battery                       | 7.5Ah-36V (Lithium battery) |
| Battery weight                | 1.8 kg                      |
| N.W                           | 16kg                        |
| G.W                           | 20kg                        |

## 4.0 Packaging of the machine

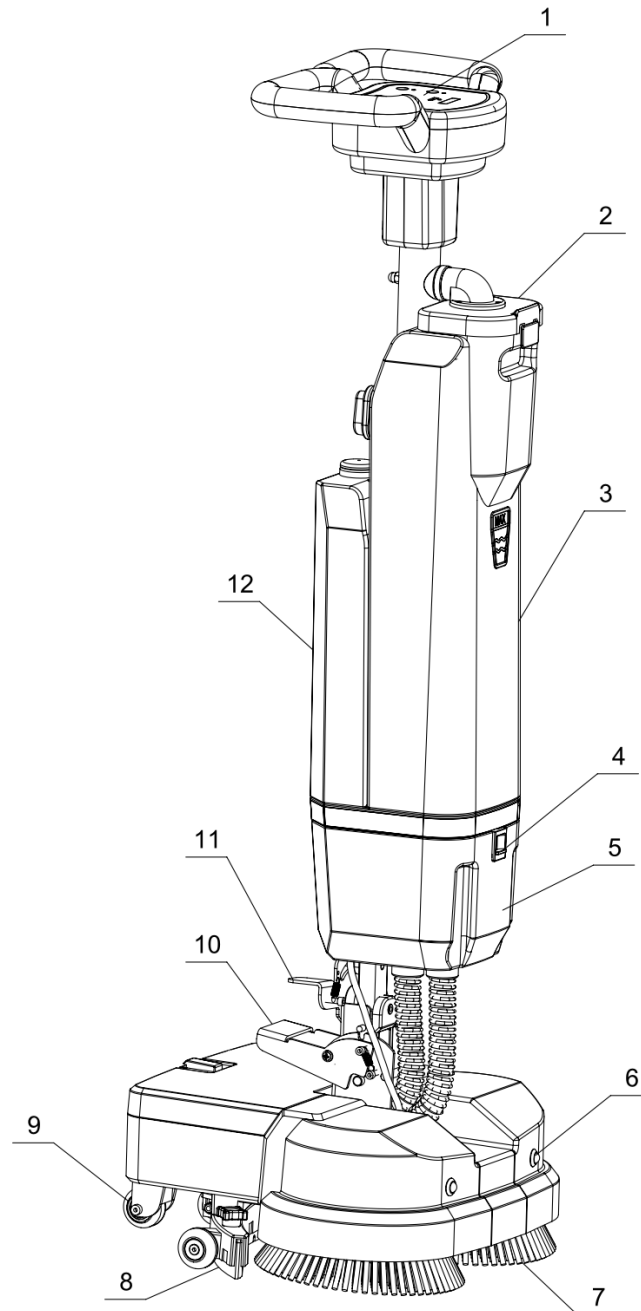
Package size as follows:

Length: 116cm

Width: 46cm

High: 35cm

## 5.0 Machine components



1.control Panel

2.sewage tank cover

3.sewage tank

4.Battery compartment lock

5.Battery compartment

6.LED light

7. brush plate

8.Squeegee

9. transport wheel

10.Vertical buckle unlock rocker

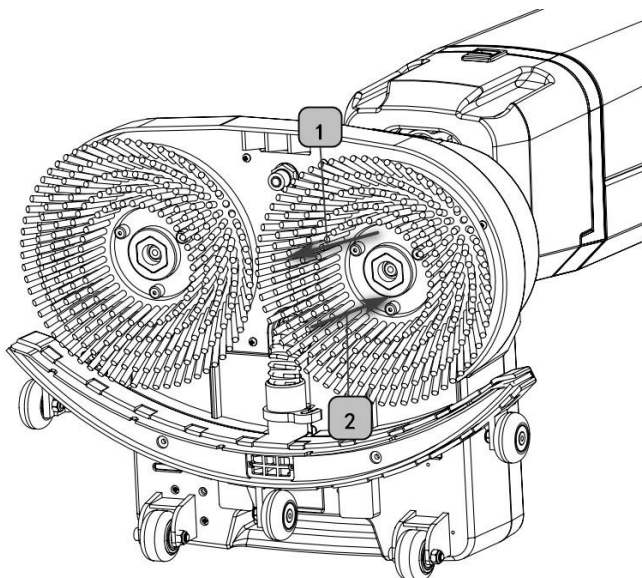
11.Vertical buckle lock press

12.clean water tank

## 6.0 Instructions for use

### 6-1 Brush Disassembly and Installation Instructions: pic6-1

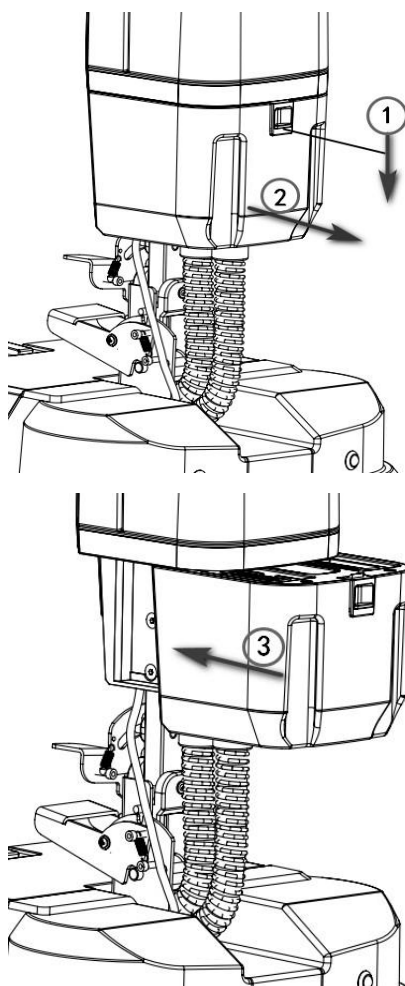
1. According to the direction of arrow 1 in the figure, you can directly pull out the brush tray.
2. Align the hexagonal column and push it in the direction of arrow 2 in the figure to tighten the brush plate.



Pic 6-1

### 6-2 Battery Removal and Installation Instructions: pic 6-2.

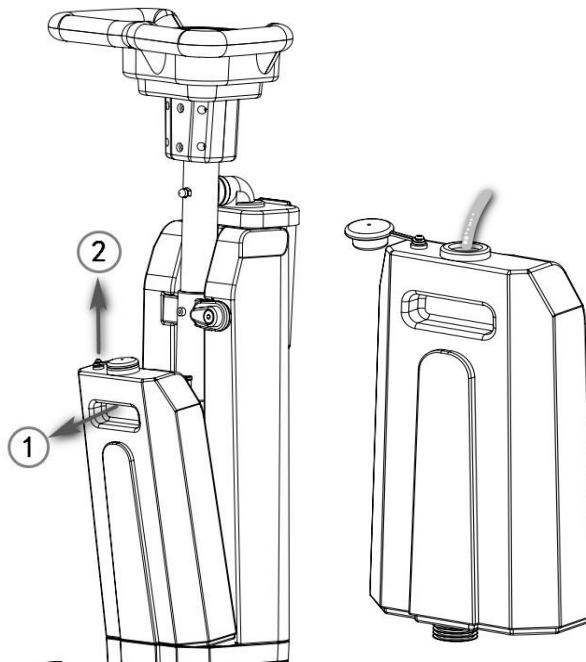
1. Press the battery lock.
2. Press and hold the battery lock and pull it in the direction of the arrow to remove the battery.
3. Align the slot and push the battery to the end, the buckle of the battery is fastened, and the battery is installed.



Pic 6-2

6-3 Instructions for filling water: pic 6-3- (1) ~ (2)

1. Pic 6-3-(1) Step 1 Push the clean water tank outward to disengage the buckle.
2. Pic 6-3- (1) Step 2 Lift the clean water tank up.
3. Pic 6-3- (2) Open the water tank cover and fill the water tank with clean water.



Pic 6-3- (1)

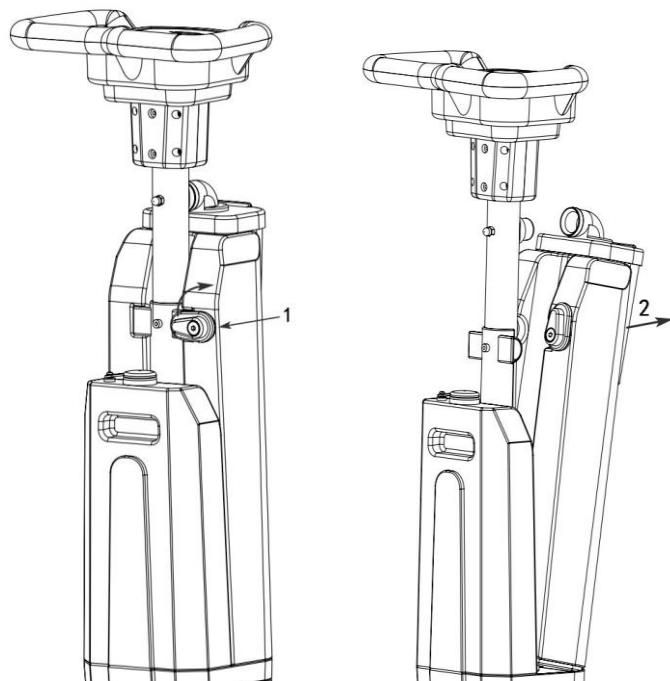
Pic 6-3- (2)

**Notice: The recovery tank must be emptied when refilling the solution tank.**

**Notice: Don't fill the solution tank with water or unclean water from the recovery tank. It will clog the pipes.**

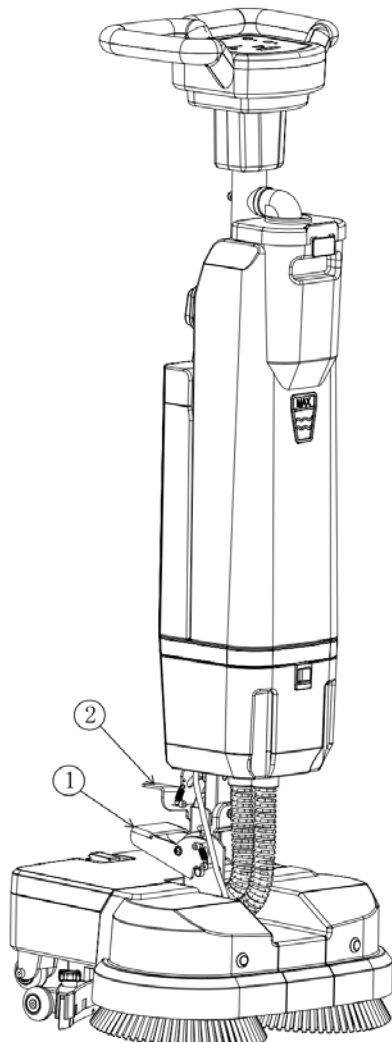
6-4 Sewage Tank Removal  
Instructions: Pic 6-4- (1) - (2)

1. Pic 6-4- (1) Push up the sewage tank swing button.
2. Pic 6-4- (2) First open the upper end of the sewage tank outwards, disengage the joint, and lift it away.



Pic 6-4- (1)

Pic 6-4- (2)



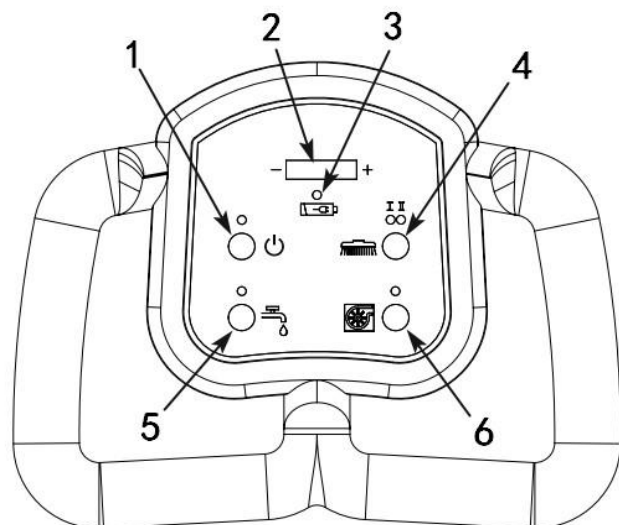
6-5 Instructions for Unlocking and Locking the Universal Joint of the Machine: pic 6-5

1. Unlocking: Grab the operating handle with your hands first, then step down the rocker ① to the lowest position with your feet, and then you can use the machine.
2. Locking: Step on the rocker ② to the lowest position with your feet, swing the handle back and forth, left and right to make it perpendicular to the machine head, and the machine handle will be automatically locked vertically.

Pic 6-5

6-6 Control panel illustration: Pic 6-6

1. Power switch
2. Battery indicator
3. Low battery indicator light, the light is on and flashing, indicating that the battery is low and needs to be charged in time.
4. Brush plate switch (cycle ECO slow, & fast)
5. Clean water switch
6. Suction switch



Pic 6-6

## 6-8 Battery charging:



**Notice:** Must use the battery charger approved and provided by the company (Pic 6-8), Using an incompatible charger may damage the battery and possibly result in a fire. When charging, both batteries must be charged together.

Correct charging steps:

1. Transport the machine to a well-ventilated area.
2. Park the machine in a dry level place and turn off the main power.
3. Plug the DC cable plug of the charger into the charging socket of the machine.
4. Connect the charger's AC power cord into a properly grounded outlet.
5. The charger will start charging automatically, and the charging time is about 2 hours and 30 minutes.
6. After the charging cycle is complete, unplug the AC power plug from the outlet first, then unplug the DC charging plug from the machine.



Pic 6-8

## 7.0 Maintenance

### 1、 Daily maintenance and maintenance

- (1) Remove the pad/brush plate and wipe it clean with a specific cleaner.
- (2) Drain the recovery and solution tanks and rinse them with clean water. Check recovery tank for debris and remove immediately.
- (3) Lift the squeegee assembly off the ground and wipe the squeegee with a damp towel.
- (4) Wipe the machine clean with a specific cleaner.
- (5) Charge the battery.
- (6) Check whether the edge of the scraper is sharp. If it is damaged, please turn it over and use it or replace it.

### 2、 Monthly maintenance and maintenance

- (1) Check for loose or corroded battery connections.
- (2) Lubricate all lubrication points and shafts with a specific lubricant.
- (3) Check for loose machine fasteners.
- (4) Check the water tank for leaks. Check the sealing strip of the waste water tank cover and replace if damaged.

### 3、 Machine storage

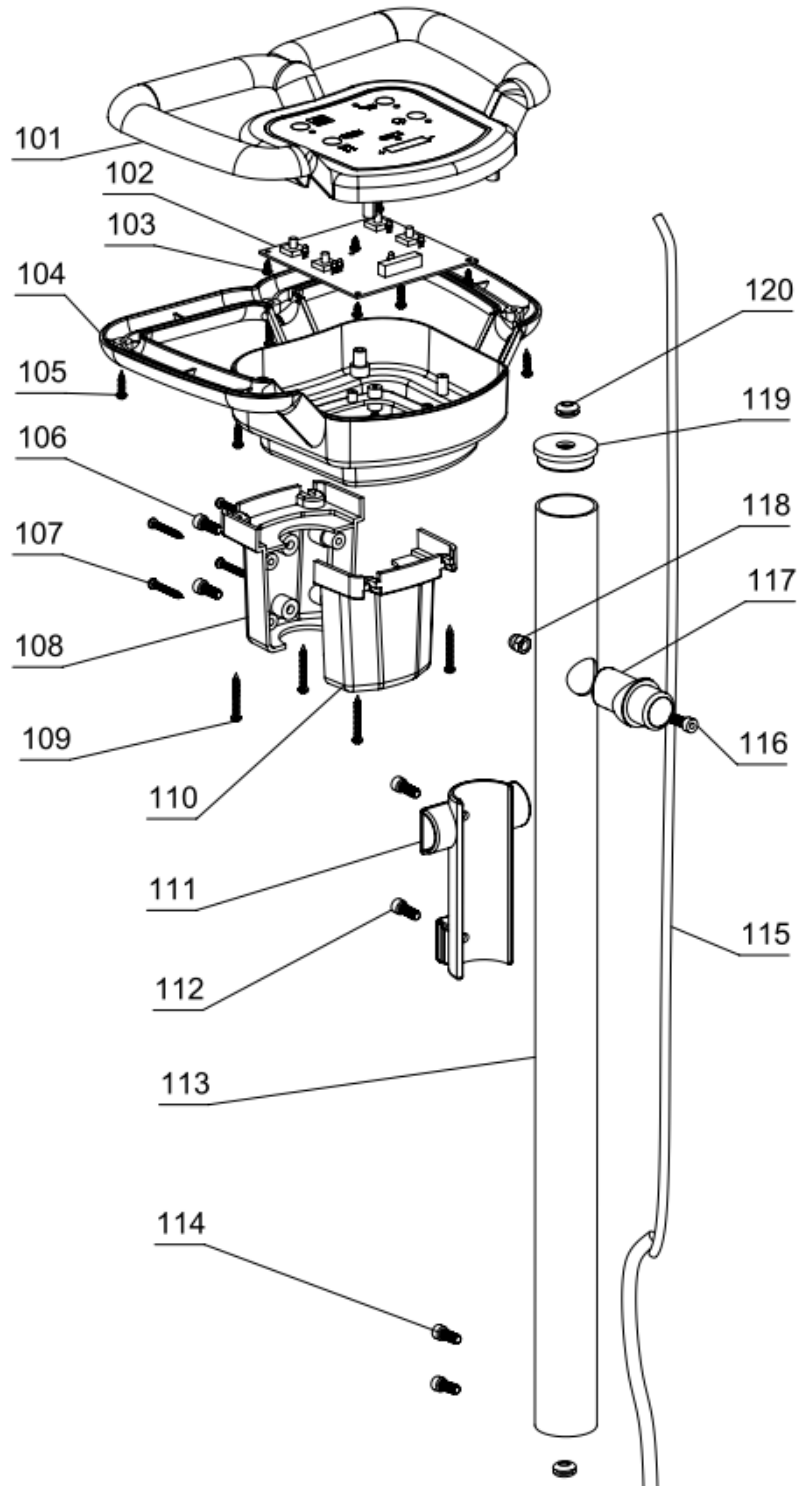
- (1) Store indoors in a dry place.
- (2) Store upright.
- (3) If the storage place is extremely cold, the machine needs to be kept completely dry before storing to avoid damage caused by low temperature.
- (4) Drain the recovery and solution tank



## 8.0 Common faults and solutions

| Fault                     | Cause Analysis   | Solution                            |
|---------------------------|--|-------------------------------------|
| Machine can't working     | The power switch is not turned on                                | Please turn on the power switch     |
|                           | The battery is low and needs to be charged                       | Charge the battery                  |
|                           | Battery damage   | Replace the battery                 |
|                           | Damaged power switch   | Contact the manufacturer            |
| The brush motor not run   | The battery is low and needs to be charged                       | Charge the battery                  |
|                           | The brush motor is damaged or its circuit is damaged             | Contact the manufacturer            |
|                           | Solenoid switch damaged  | Contact the manufacturer            |
|                           | Controller damage  | Contact the manufacturer            |
|                           | The drive motor or its wiring is damaged                         | Contact the manufacturer            |
|                           |  |                                     |
| Suction motor not working | Suction motor or its circuit is damaged                          | Contact the manufacturer            |
|                           |  |                                     |
| Poor water absorption     | Wiper assembly clogged   | Cleaning the Squeegee Assembly      |
|                           | Squeegee blade wear  | Turn over or replace                |
|                           | The suction pipe is not reliably connected to the wiper assembly | Reliable connection of suction pipe |
|                           | Suction pipe clogged   | Clear blockage                      |
|                           | Damaged suction pipe   | Replace the suction hose            |
|                           | Sewage tank cover is not closed                                  | Covered                             |
|                           | Damaged waste water tank cover seal                              | Replace the seal                    |
|                           | Suction motor damaged  | Contact the manufacturer            |
|                           | Battery is low   | Charge the battery                  |
|                           |  |                                     |
| Short runtime             | Damaged battery charger  | Repair or replace the charger       |
|                           |  |                                     |

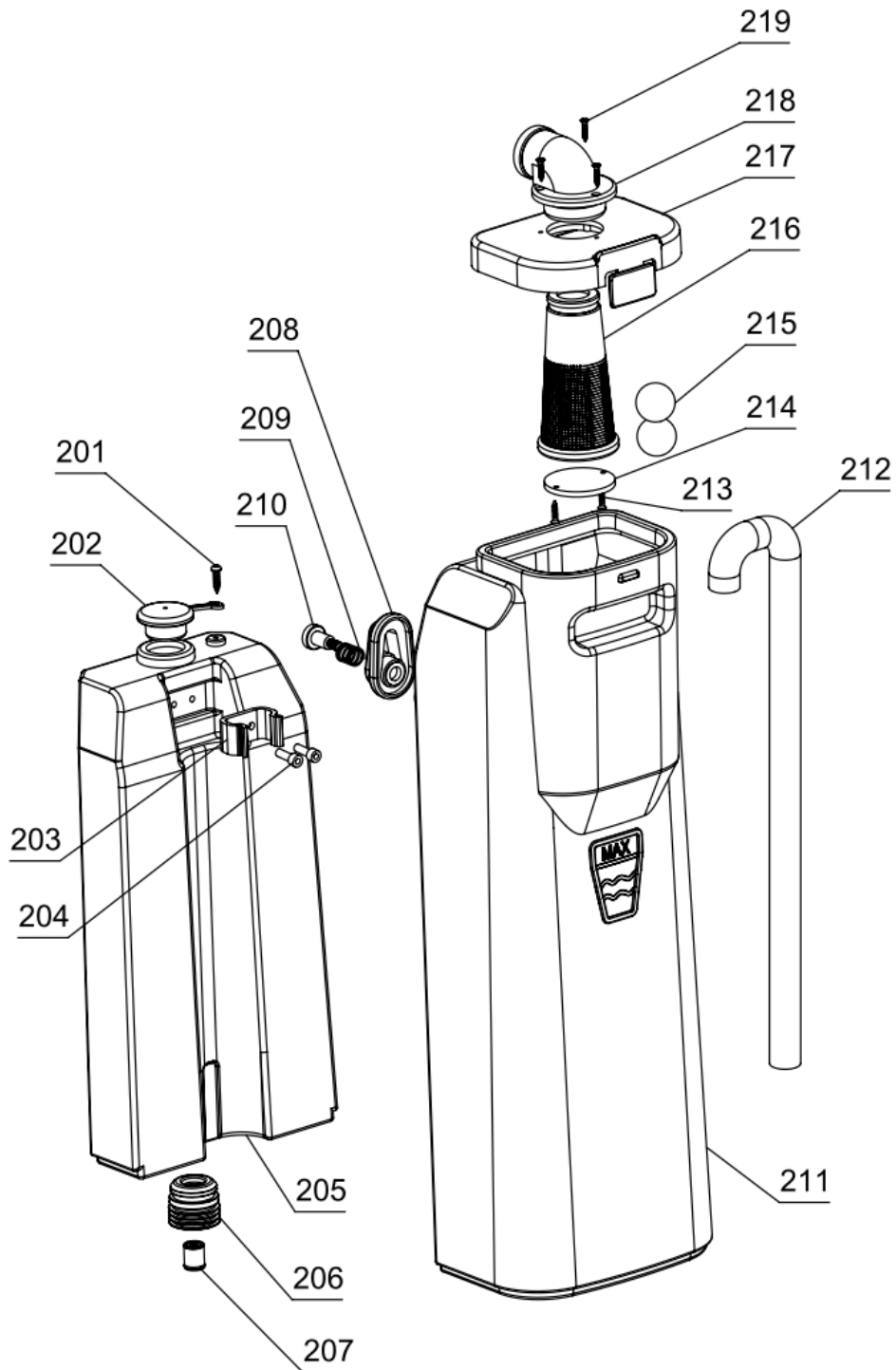
Explosion diagram 1



| Number | Name                              | Number | Name                              | Number | Name                              |
|--------|-----------------------------------|--------|-----------------------------------|--------|-----------------------------------|
| 101    | Handle case upper case            | 102    | Control circuit board             | 103    | 3X8 pan head self-tapping screws  |
| 104    | Handle case lower case            | 105    | 4X16 pan head self-tapping screws | 106    | M6X16 cylinder head screw         |
| 107    | 4X30 pan head self-tapping screws | 108    | Handle connector (rear)           | 109    | 4X30 pan head self-tapping screws |

|     |                           |     |                           |     |                        |
|-----|---------------------------|-----|---------------------------|-----|------------------------|
| 110 | Handle attachment (front) | 111 | Water tank locator        | 112 | M6X16 round head screw |
| 113 | 40X2 aluminum handle      | 114 | M6X16 round head screw    | 115 | Electric wire          |
| 116 | M6X16 cylinder head screw | 117 | Sewage tank suction liner | 118 | M6 round head nut      |
| 119 | Aluminum tube closure     | 120 | Wire sheath               |     |                        |

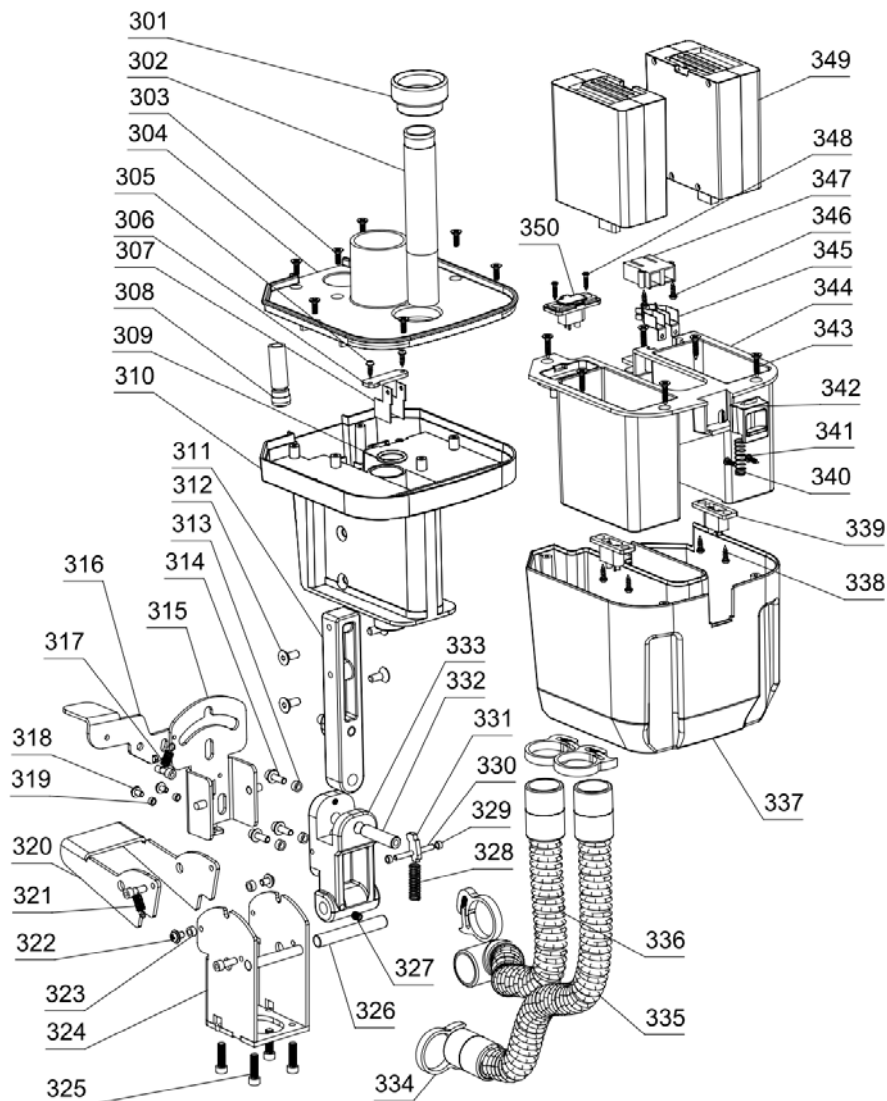
**Explosion diagram 2**



| Number | Name | Number | Name | Number | Name |
|--------|------|--------|------|--------|------|
|--------|------|--------|------|--------|------|

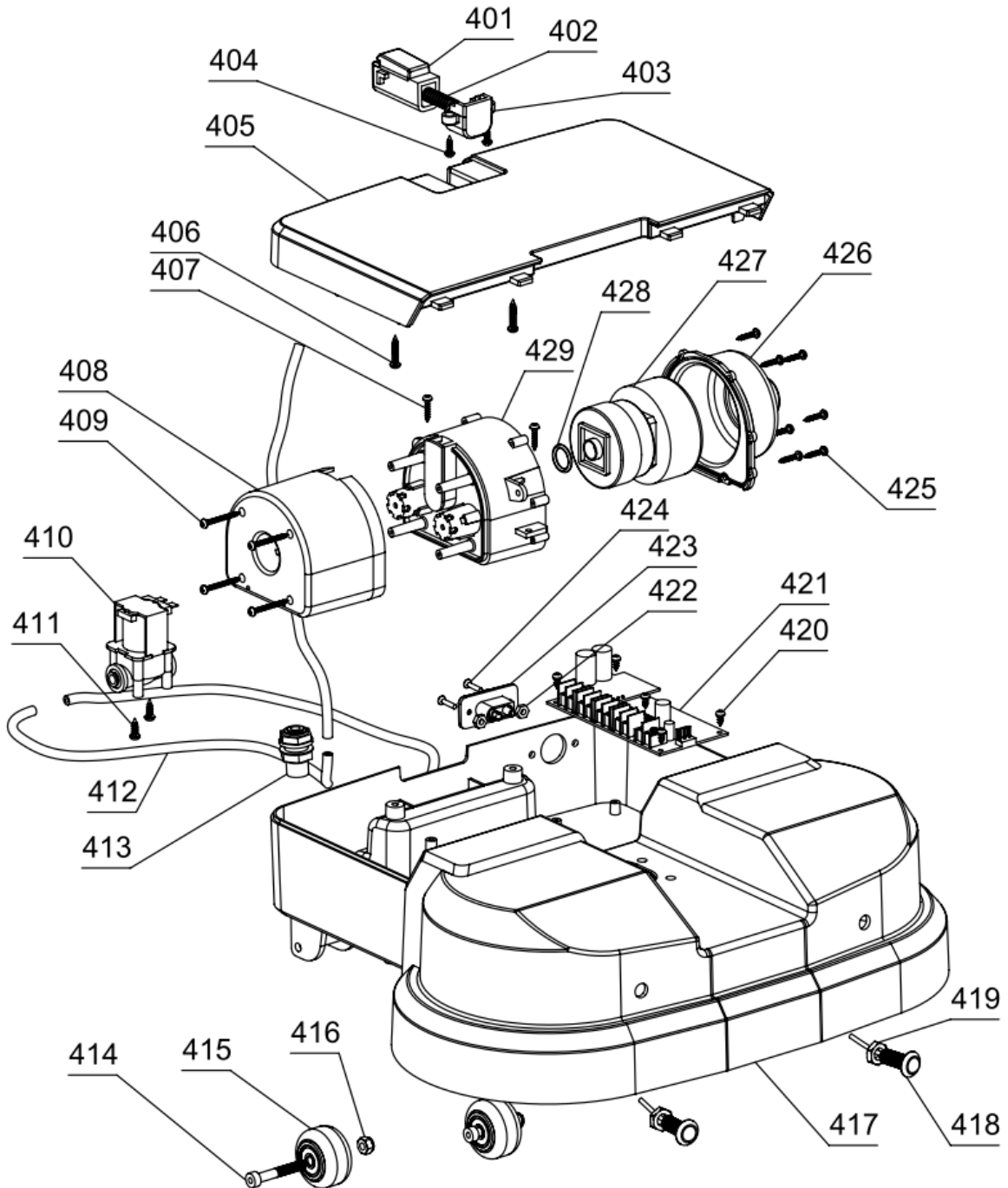
|     |  |     |                             |     |                                |
|-----|--|-----|-----------------------------|-----|--------------------------------|
| 201 | 4X16 pan head self-tapping screws        | 202 | Clean water tank cover      | 203 | Clean water tank buckle        |
| 204 | M5X12 M5X12 round head screw             | 205 | Clean water tank            | 206 | Water valve rubber sleeve      |
| 207 | Water valve                              | 208 | Sewage tank swing buckle    | 209 | Water tank swing buckle spring |
| 210 | Water tank swing buckle screw            | 211 | Waste water tank            | 212 | Sewage tank inner elbow        |
| 213 | 3X12 countersunk head self-tapping screw | 214 | Bottom cover of float cover | 215 | Float                          |
| 216 | Float cover                              | 217 | Sewage tank cover           | 218 | Sewage tank extraction jacket  |
| 219 | 3X12 countersunk head self-tapping screw |     |                             |     |                                |

**Explosion diagram 3**



| Number | Name                                     | Number | Name                              | Number | Name                                     |
|--------|--|--------|-----------------------------------|--------|--|
| 301    | Sewage tank connection rubber sleeve     | 302    | Rubber sleeve connecting pipe     | 303    | 4X12 Countersunk head self-tapping screw |
| 304    | Water tank pallet                        | 305    | 3X12 pan head self-tapping screws | 306    | Battery insert press plate               |
| 307    | Battery insert                           | 308    | Conversion quick connector        | 309    | O-ring 19 (inner) X3                     |
| 310    | Battery Holder                           | 311    | Universal joint upper part        | 312    | M6X12 countersunk head screw             |
| 313    | 5X8X4 cushion cover                      | 314    | M5X12 screw                       | 315    | Vertical lock                            |
| 316    | Vertical lock locking rocker             | 317    | 7X0.8X27 extension spring         | 318    | M4X8 screw                               |
| 319    | 4X6X3 cushion cover                      | 320    | Unlock rocker                     | 321    | 7X0.8X27 Extension spring                |
| 322    | M5X8 screw                               | 323    | 5X8X4 cushion cover               | 324    | Universal joint lower part               |
| 325    | M6X20 cylinder head screw                | 326    | 10X70 pin                         | 327    | M6X8 Machine screw                       |
| 328    | 9X1X40 compression spring                | 329    | 4X6X4 cushion cover               | 330    | 4X40 pin                                 |
| 331    | Standing latch unlocking position        | 332    | 8X40 pin                          | 333    | Universal joint middle section           |
| 334    | Hose clamp                               | 335    | Suction hose                      | 336    | uction hose                              |
| 337    | Battery case                             | 338    | 3X10 pan head self-tapping screws | 339    | Battery plug                             |
| 340    | 8X0.6X30 compression spring              | 341    | 3X10 pan head self-tapping screws | 342    | Battery compartment lock                 |
| 343    | 4X16 countersunk head self-tapping screw | 344    | Battery compartment cover         | 345    | Battery compartment plug copper parts    |
| 346    | 3X12 pan head self-tapping screws        | 347    | Battery compartment plug          | 348    | 3X12 countersunk head self-tapping screw |
| 349    | Battery                                  | 350    | Charging socket                   |        |  |

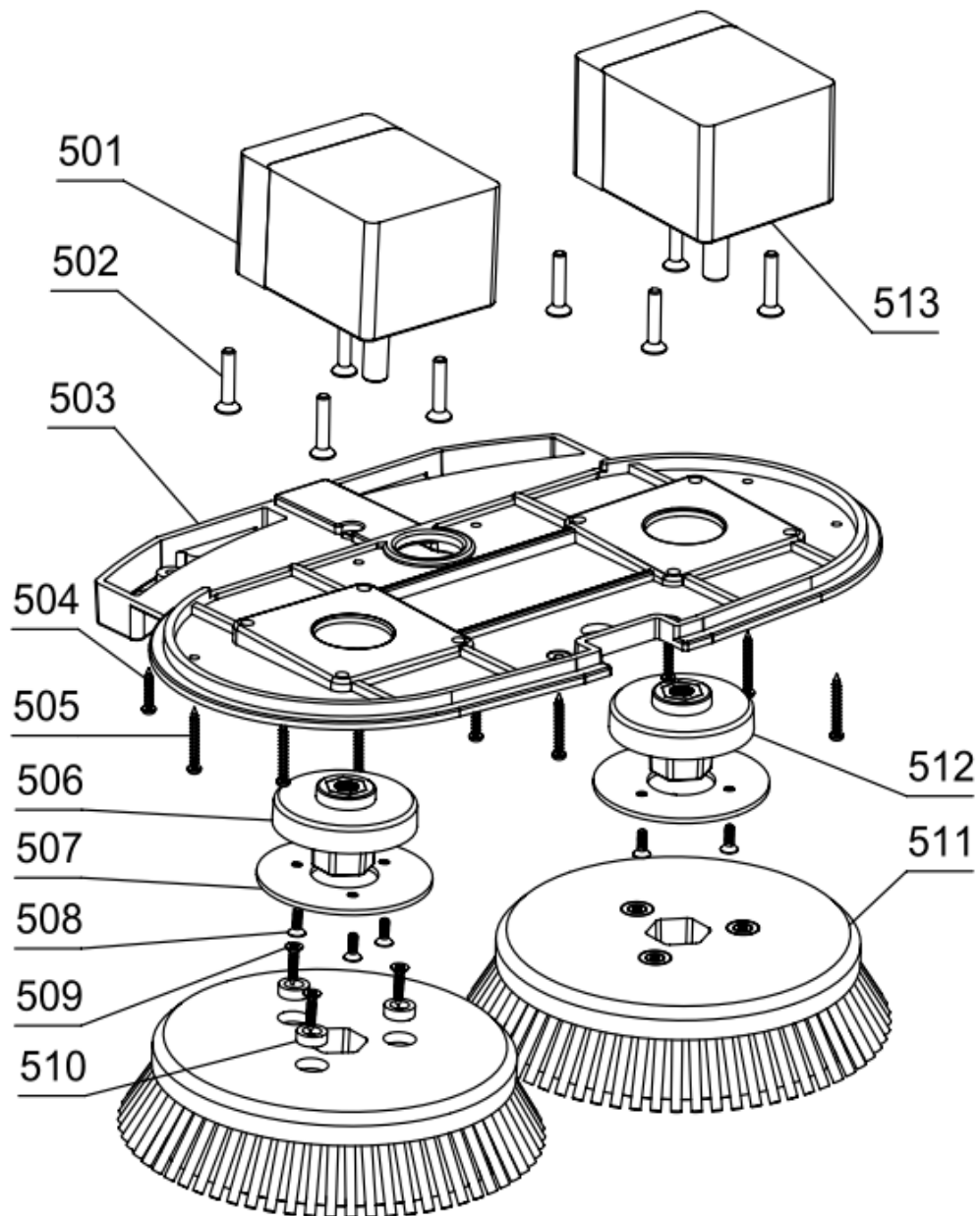
Explosion diagram 4



| Number | Name                              | Number | Name                              | Number | Name                              |
|--------|-----------------------------------|--------|-----------------------------------|--------|-----------------------------------|
| 401    | Folding buckle                    | 402    | 9X1X40 compression spring         | 403    | Folding Buckle Positioner         |
| 404    | 3X12 pan head self-tapping screws | 405    | Chassis cover                     | 406    | 4X20 pan head self-tapping screws |
| 407    | 4X20 pan head self-tapping screws | 408    | Suction Motor Noise Cover 2       | 409    | 3X30 pan head self-tapping screws |
| 410    | Electromagnetic valve             | 411    | 4X12 pan head self-tapping screws | 412    | Water pipe                        |
| 413    | 6.3 water pipe quick connector    | 414    | M6X40 cylinder head screw         | 415    | φ40X23 wheel                      |

|     |                                   |     |                                  |     |                              |
|-----|-----------------------------------|-----|----------------------------------|-----|------------------------------|
| 416 | M6 fasten the screw nut           | 417 | Host shell                       | 418 | LED light                    |
| 419 | LED light nut                     | 420 | 3X8 Pan head self-tapping screws | 421 | Main control circuit board   |
| 422 | M3 nut                            | 423 | Charging socket                  | 424 | M3X12 countersunk head screw |
| 425 | 3X16 pan head self-tapping screws | 426 | Suction Motor Mount              | 427 | Suction motor                |
| 428 | O-ring 14 (inner)X2.5             | 429 | Suction Motor Noise Cover 1      | 430 |                              |

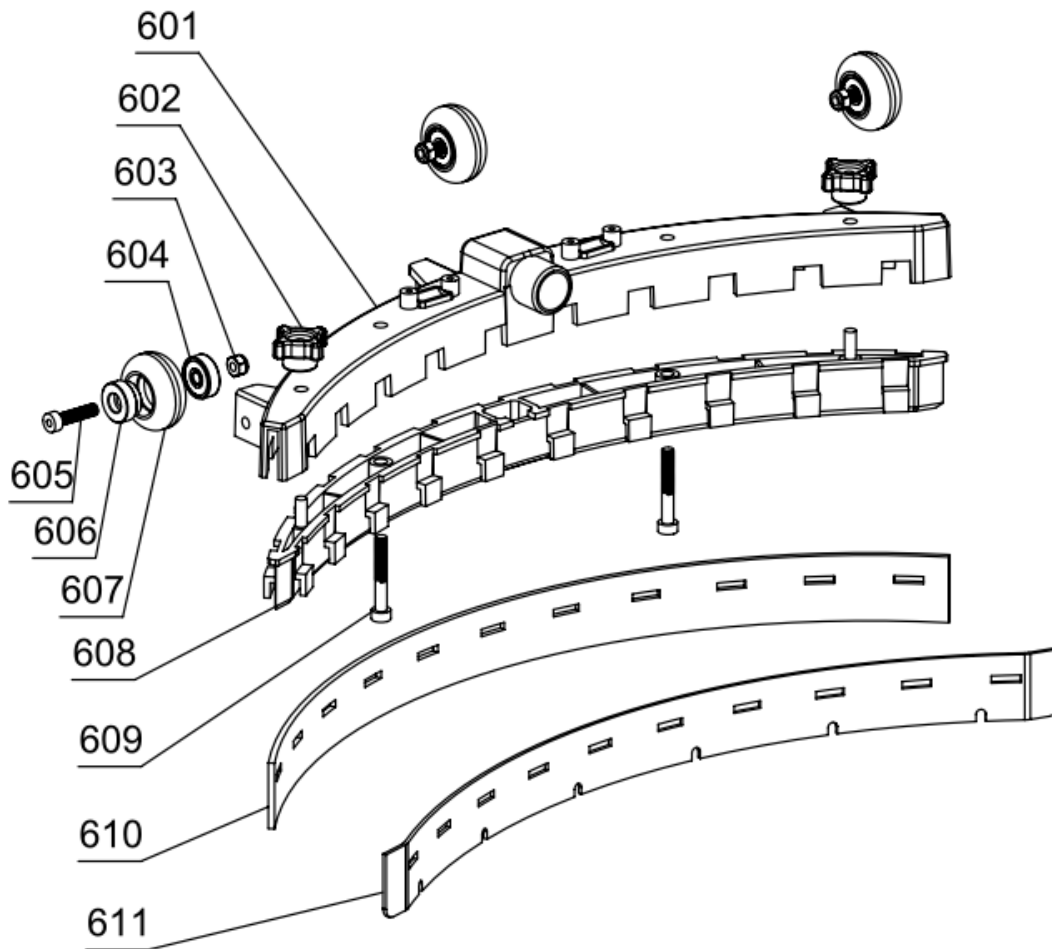
**Explosion diagram 5**



| Number | Name                    | Number | Name                            |
|--------|-------------------------|--------|---------------------------------|
| 501    | Left thread brush motor | 502    | M6X25、20 countersunk head screw |

|     |  |     |  |
|-----|--|-----|--|
| 503 | Brush plate motor bottom plate           | 504 | 4X12 pan head self-tapping screws        |
| 505 | 4X30 pan head self-tapping screws        | 506 | Left thread brush buckle                 |
| 507 | Brush buckle magnetic sheet              | 508 | 4X12 countersunk head self-tapping screw |
| 509 | 4X20 countersunk head self-tapping screw | 510 | Strong magnet $\phi 15 \times 5$         |
| 511 | Brush plate                              | 512 | Right thread brush buckle                |
| 513 | Right thread brush motor                 |     |  |

**Explosion diagram 6**



| Number | Name                        | Number | Name                       |
|--------|-----------------------------|--------|----------------------------|
| 601    | Squeegee shell              | 602    | M6 star nut                |
| 603    | M6 fasten the screw nut     | 604    | 606 Bearing                |
| 605    | M6X25 cylinder head screw   | 606    | Squeegee hub               |
| 607    | 40mm squeegee               | 608    | Squeegee Internals         |
| 609    | M6X40 cylinder head screw   | 610    | Squeegee rear rubber strip |
| 611    | Squeegee front rubber strip |        |                            |



Series product warranty card

Card number:

User name:

Contact number:

Contact address:

Post code:

Date of purchase:

Invoice number:

Product model:

Machine number:

Replacement parts:

Fault description:

Distributor (official seal)

1. This warranty card must be stamped with the official seal of the agent distributor to be valid.
2. This maintenance card is in duplicate, one for each customer and agent distributor.

★Warranty with purchase receipt, thank you for your cooperation!

Series product warranty card

Card number:

User name:

Contact number:

Contact address:

Post code:

Date of purchase:

Invoice number:

Product model:

Machine number:

Replacement parts:

Fault description:

Distributor (official seal)

3. This warranty card must be stamped with the official seal of the agent distributor to be valid.
4. This maintenance card is in duplicate, one for each customer and agent distributor.

★Warranty with purchase receipt, thank you for your cooperation!



Address: Marsstrasse 9, 85609 Aschheim near Munich

E-mail : [info@arcora.de](mailto:info@arcora.de) Tel :

+49 (0) 89 14 33 29 30

[www.arcora-group.com](http://www.arcora-group.com)

---